

## Steel plate swivel and fixed castors with soft rubber tyres

### Item description/product images



### Description

**Material:**

Housing sheet steel,

Wheels high quality elastic solid rubber.

Wheel rim high-quality unbreakable polyamide (wheel Ø 100 and 125 mm) or die-cast aluminium (wheel Ø from 150 mm).

**Version:**

Housing, press-formed.

Swivel housing, double-row ball bearings in a swivel head.

Ball bearing wheel axle bearings.

**Note:**

Wheel axle bolted.

Swivel and fixed castors with mounting plate.

**Application:**

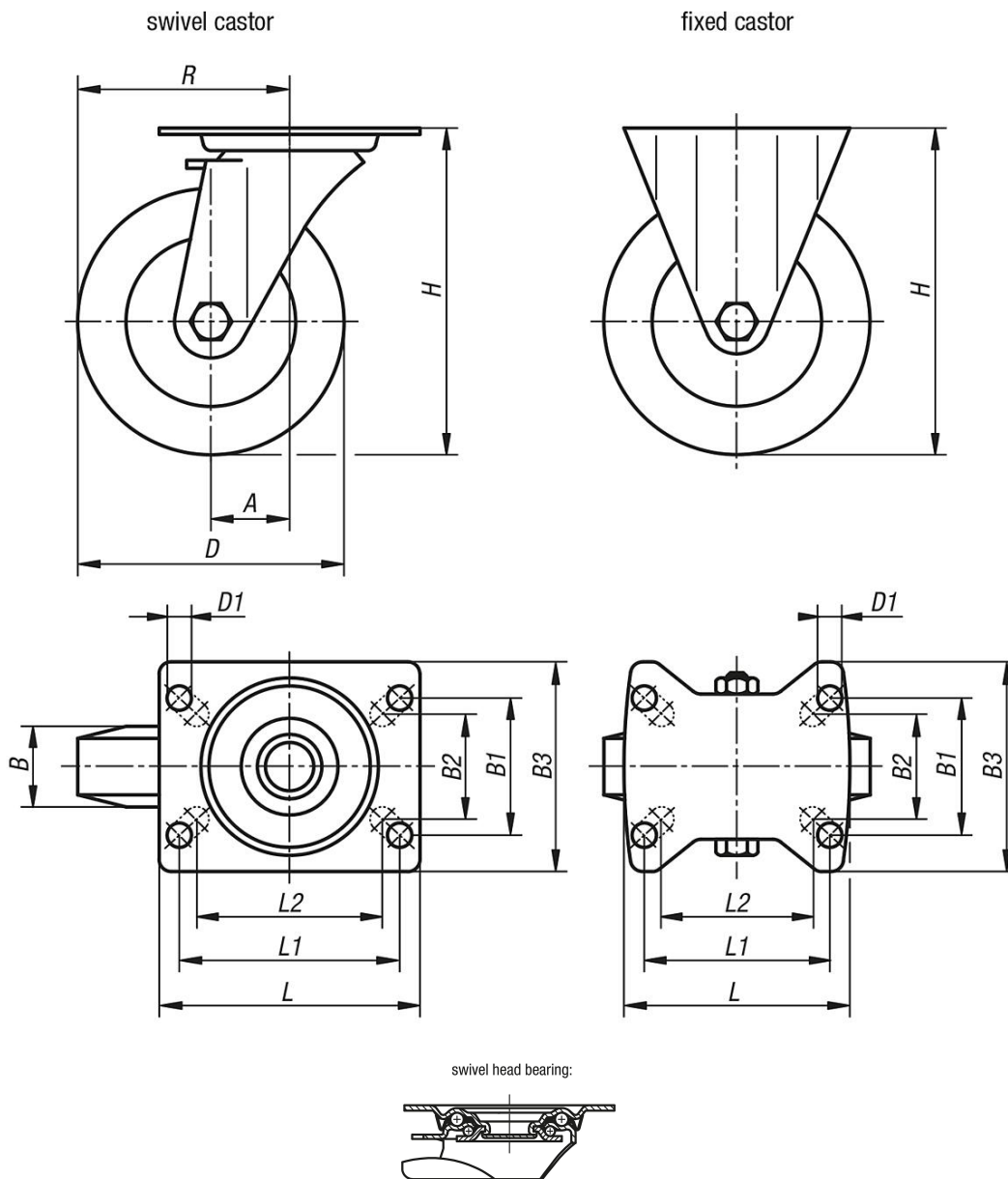
Maximum travel comfort, excellent cushioning of the transported goods. The new soft rubber series brings noticeable noise reduction in all applications.

**Temperature range:**

-25 °C to +80 °C.

# Steel plate swivel and fixed castors with soft rubber tyres

## Drawings



## Overview of items

### Steel plate swivel and fixed castors with soft rubber tyres

Order No.	Item	Version 1	Wheel bearing	A	B	B1	B2	B3	D	D1	H	L	L1	L2	R	Permissible load kg
K1766.101000401	Fixed castor	without locking system	ball bearing	-	40	60	55	85	100	9	125	100	80	76	-	150
K1766.101250401	Fixed castor	without locking system	ball bearing	-	40	60	55	85	125	9	150	100	80	76	-	150
K1766.101500401	Fixed castor	without locking system	ball bearing	-	40	80	75	110	150	11	190	140	105	-	-	280
K1766.101600501	Fixed castor	without locking system	ball bearing	-	50	80	75	110	160	11	195	140	105	-	-	300
K1766.102000501	Fixed castor	without locking system	ball bearing	-	50	80	75	110	200	11	235	140	105	-	-	300
K1766.10100040	Swivel castor	without locking system	ball bearing	36	40	60	55	85	100	9	125	100	80	76	86	150
K1766.10125040	Swivel castor	without locking system	ball bearing	40	40	60	55	85	125	9	150	100	80	76	102,5	150
K1766.10150040	Swivel castor	without locking system	ball bearing	54	40	80	75	110	150	11	190	140	105	-	129	280
K1766.10160050	Swivel castor	without locking system	ball bearing	54	50	80	75	110	160	11	195	140	105	-	134	300
K1766.10200050	Swivel castor	without locking system	ball bearing	54	50	80	75	110	200	11	235	140	105	-	154	300
K1766.101000402	Swivel castor	with stop-fix locking system	ball bearing	36	40	60	55	85	100	9	125	100	80	76	86	150

## Steel plate swivel and fixed castors with soft rubber tyres

### Overview of items

Order No.	Item	Version 1	Wheel bearing	A	B	B1	B2	B3	D	D1	H	L	L1	L2	R	Permissible load kg
<b>K1766.101250402</b>	Swivel castor	with stop-fix locking system	ball bearing	40	40	60	55	85	125	9	150	100	80	76	102,5	150
<b>K1766.101500402</b>	Swivel castor	with stop-fix locking system	ball bearing	54	50	80	75	110	150	11	190	140	105	-	129	280
<b>K1766.101600502</b>	Swivel castor	with stop-fix locking system	ball bearing	54	50	80	75	110	160	11	195	140	105	-	134	300
<b>K1766.102000502</b>	Swivel castor	with stop-fix locking system	ball bearing	54	50	80	75	110	200	11	235	140	105	-	154	300