

Telescopic slides, steel for side mounting, partial extension, load capacity up to 65 kg

Item description/product images

19"



Description

Material:

Slides steel.
Ball cages steel.
Balls, steel.

Version:

Slides electro zinc-plated.
Ball cages, electro zinc-plated.
Balls hardened.

Note for ordering:

Sold in pairs.

Note:

On telescopic slides with partial extension, the travel is less than the installed length. Latches in open position. When the release lever is actuated, the drawer can be taken out easily and separated from the guide. The dynamic load capacity of the telescopic slides indicates the maximum load rating of a vertically mounted slide pair when the entire extension length is used. The load capacity specified is calculated with a slide spacing of 450 mm and is based on the maximum value with 10,000 cycles.

The load capacity is ca. 75% lower by horizontal mounting.

The head height of the fastening screws should not exceed 2.5 mm otherwise there is a risk of collision with other parts of the slide.

Temperature range:

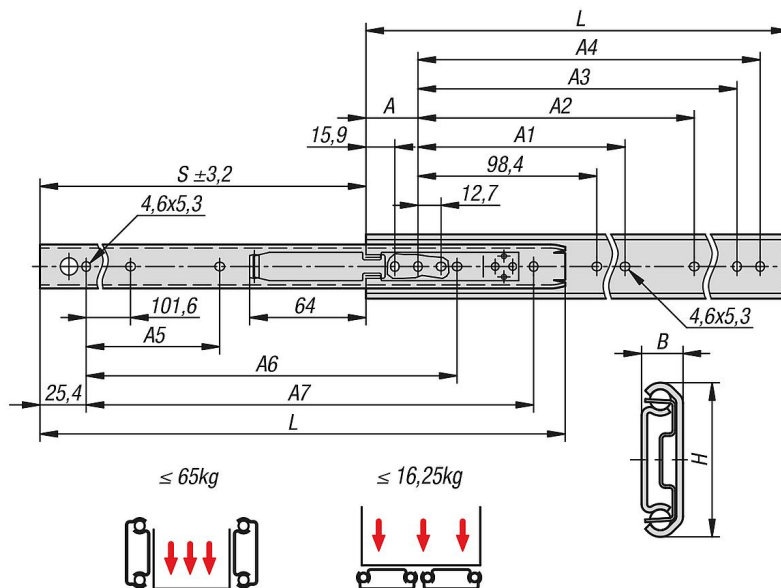
-20 °C - +70 °C.

Advantages:

Latches in open position
Quick frontal release

Telescopic slides, steel for side mounting, partial extension, load capacity up to 65 kg

Drawings



Overview of items

Steel telescopic slides for side mounting, partial extension, load capacity up to 65 kg

Order No.	Assembly	Product type	Loading per pair kg	Packaging type
K1711.0305	side mounting	standard	65	1 piece = 1 pair
K1711.0356	side mounting	standard	65	1 piece = 1 pair
K1711.0406	side mounting	standard	60	1 piece = 1 pair
K1711.0457	side mounting	standard	55	1 piece = 1 pair
K1711.0508	side mounting	standard	50	1 piece = 1 pair
K1711.0559	side mounting	standard	40	1 piece = 1 pair
K1711.0610	side mounting	standard	35	1 piece = 1 pair
K1711.0660	side mounting	standard	30	1 piece = 1 pair
K1711.0711	side mounting	standard	30	1 piece = 1 pair

Order No.	A	A1	A2	A3	A4	A5	A6	A7	B	H	Travel S	L
K1711.0305	28,6	-	136,5	247,6	260,3	-	215,9	254	9,5	35,3	201,5	305
K1711.0356	28,6	-	187,3	298,4	311,1	-	266,7	304,8	9,5	35,3	252,5	356
K1711.0406	28,6	-	238,1	349,2	361,9	-	317,5	355,6	9,5	35,3	303	406
K1711.0457	28,6	200	288,9	400	412,7	203,2	342,9	406,4	9,5	35,3	329	457
K1711.0508	28,6	225,4	339,7	450,8	463,5	228,6	393,7	457,2	9,5	35,3	379,5	508
K1711.0559	28,6	250,8	390,5	501,6	514,3	254	419,1	508	9,5	35,3	405	559
K1711.0610	28,6	276,2	441,3	552,4	565,1	279,4	444,5	558,8	9,5	35,3	430,5	610
K1711.0660	28,6	301,6	492,1	603,2	615,9	304,8	495,3	609,6	9,5	35,3	481,5	660
K1711.0711	28,6	327	542,9	654	666,7	330,2	520,7	660,4	9,5	35,3	506,5	711