

Hand wheels, steel, stamped

Item description/product images



Description

Material:

Steel.

Version:

Powder-coated black RAL 9005, red RAL 3000 or trivalent blue passivated.

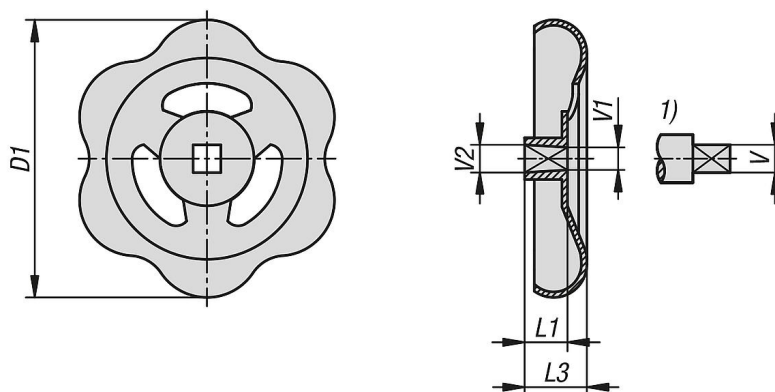
Note:

Especially suitable for stop valves. The handwheels are made from a single piece. The handwheel is strengthened in the hub area using a special forming process. The tapered hub allows easy mounting and ensures secure seating on the square bar.

Drawing reference:

1) Square on shaft

Drawings



Overview of items

Hand wheels, steel, stamped

Order No.	Main colour	Surface finish body	D1	L1	L3	V	V1	V2	Number of spokes
K1661.050060	jet black RAL 9005	-	50	8,5	12	6	5,9	6,15	3
K1661.050070	jet black RAL 9005	-	50	8,5	12	7	6,9	7,15	3
K1661.060060	jet black RAL 9005	-	60	8,5	12	6	5,9	6,15	3
K1661.060070	jet black RAL 9005	-	60	8,5	12	7	6,9	7,15	3
K1661.070070	jet black RAL 9005	-	69	10	15	7	6,9	7,15	3
K1661.070080	jet black RAL 9005	-	69	10	15	8	7,9	8,15	3
K1661.080080	jet black RAL 9005	-	78	11	16	8	7,9	8,15	3
K1661.080090	jet black RAL 9005	-	78	11	16	9	8,9	9,15	3
K1661.090090	jet black RAL 9005	-	89	11	16	9	8,9	9,15	3
K1661.100090	jet black RAL 9005	-	98	13	20	9	8,9	9,15	3
K1661.100100	jet black RAL 9005	-	98	13	20	10	9,9	10,15	3
K1661.110100	jet black RAL 9005	-	108	15	23	10	9,9	10,15	3
K1661.130120	jet black RAL 9005	-	130	15	23	12	11,9	12,15	3
K1661.050061	red RAL 3000	-	50	8,5	12	6	5,9	6,15	3
K1661.050071	red RAL 3000	-	50	8,5	12	7	6,9	7,15	3
K1661.060061	red RAL 3000	-	60	8,5	12	6	5,9	6,15	3
K1661.060071	red RAL 3000	-	60	8,5	12	7	6,9	7,15	3
K1661.070071	red RAL 3000	-	69	10	15	7	6,9	7,15	3
K1661.070081	red RAL 3000	-	69	10	15	8	7,9	8,15	3

Hand wheels, steel, stamped

Overview of items

Order No.	Main colour	Surface finish body	D1	L1	L3	V	V1	V2	Number of spokes
K1661.080081	red RAL 3000	-	78	11	16	8	7,9	8,15	3
K1661.080091	red RAL 3000	-	78	11	16	9	8,9	9,15	3
K1661.090091	red RAL 3000	-	89	11	16	9	8,9	9,15	3
K1661.100091	red RAL 3000	-	98	13	20	9	8,9	9,15	3
K1661.100101	red RAL 3000	-	98	13	20	10	9,9	10,15	3
K1661.110101	red RAL 3000	-	108	15	23	10	9,9	10,15	3
K1661.130121	red RAL 3000	-	130	15	23	12	11,9	12,15	3
K1661.050062	-	passivated	50	8,5	12	6	5,9	6,15	3
K1661.050072	-	passivated	50	8,5	12	7	6,9	7,15	3
K1661.060062	-	passivated	60	8,5	12	6	5,9	6,15	3
K1661.060072	-	passivated	60	8,5	12	7	6,9	7,15	3
K1661.070072	-	passivated	69	10	15	7	6,9	7,15	3
K1661.070082	-	passivated	69	10	15	8	7,9	8,15	3
K1661.080082	-	passivated	78	11	16	8	7,9	8,15	3
K1661.080092	-	passivated	78	11	16	9	8,9	9,15	3
K1661.090092	-	passivated	89	11	16	9	8,9	9,15	3
K1661.100092	-	passivated	98	13	20	9	8,9	9,15	3
K1661.100102	-	passivated	98	13	20	10	9,9	10,15	3
K1661.110102	-	passivated	108	15	23	10	9,9	10,15	3
K1661.130122	-	passivated	130	15	23	12	11,9	12,15	3