

Clamping levers, die-cast zinc with internal thread and clamping force intensifier, threaded insert stainless steel

Item description/product images



Description

Product description:

By using clamping levers with integrated clamping force intensifier, the clamping force can be increased by up to 75% compared to standard clamping levers.

Furthermore, this product can also be used by persons with limited hand strength (e.g. in rehabilitation) to achieve comparable clamping forces with less effort. Less effort is also needed to loosen the clamping lever.

The increase in clamping force is achieved by the integral needle roller thrust bearing, which generates very low surface friction on a rigid contact surface during clamping. The hardened thrust washers are designed for high clamping forces and the bearing with its high load rating guarantees a long service life.

The clamped component is permanently protected by the large, stationary contact surface. A washer is no longer required.

Material:

Handle die-cast zinc DIN EN 12844.
Steel parts stainless steel 1.4305.

Version:

Handle powder-coated.
Steel parts bright.
Axial needle bearing with hardened and ground thrust washer.

Note:

Standard colours are:
orange RAL 2004, ruby red RAL 3003, silver metallic.

Type of operation:

In the default position, the handle is engaged with the threaded insert through a toothed ring. By lifting the handle, it can be repositioned and re-engaged in the toothed ring by spring force.

Application:

Machine, equipment and plant construction, rehabilitation sector.

Assembly:

The screw-in depth must be at least 2 x the thread diameter and the thread should be lubricated lightly during installation.

Advantages:

Significant increase of the clamping force with the same tightening torque.
High quality axial needle bearing with high load rating and long service life.
The component surface is protected by the stationary lower ring.

On request:

Other colours.

Clamping levers, die-cast zinc with internal thread and clamping force intensifier, threaded insert stainless steel

Item description/product images

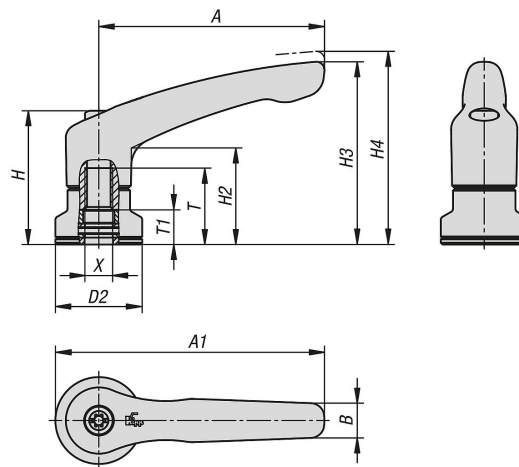


lift to
disengage



Clamping levers, die-cast zinc with internal thread and clamping force intensifier, threaded insert stainless steel

Drawings



Overview of items

Clamping levers, zinc with female thread and clamping force intensifier

Order No.	Main colour	Surface finish body	Size	X	D2	H	H2	H3	H4	A	A1	B	T	T1
K1626.2082	orange RAL 2004	plastic-coated	2	M8	25	38,5	27,7	52,6	55,6	65	77,5	10	22	10
K1626.3102	orange RAL 2004	plastic-coated	3	M10	30	47	33,9	64,4	68,6	80	95	11,2	24	10
K1626.4102	orange RAL 2004	plastic-coated	4	M10	30	53,1	37,2	72,8	77,3	95	110	13,2	27	10
K1626.5122	orange RAL 2004	plastic-coated	5	M12	35	59,1	41,9	83	87,5	110	127,5	15,4	33	10
K1626.20827	ruby red RAL3003	plastic-coated	2	M8	25	38,5	27,7	52,6	55,6	65	77,5	10	22	10
K1626.31027	ruby red RAL3003	plastic-coated	3	M10	30	47	33,9	64,4	68,6	80	95	11,2	24	10
K1626.41027	ruby red RAL3003	plastic-coated	4	M10	30	53,1	37,2	72,8	77,3	95	110	13,2	27	10
K1626.51227	ruby red RAL3003	plastic-coated	5	M12	35	59,1	41,9	83	87,5	110	127,5	15,4	33	10
K1626.2083	silver metallic	plastic-coated	2	M8	25	38,5	27,7	52,6	55,6	65	77,5	10	22	10
K1626.3103	silver metallic	plastic-coated	3	M10	30	47	33,9	64,4	68,6	80	95	11,2	24	10
K1626.4103	silver metallic	plastic-coated	4	M10	30	53,1	37,2	72,8	77,3	95	110	13,2	27	10
K1626.5123	silver metallic	plastic-coated	5	M12	35	59,1	41,9	83	87,5	110	127,5	15,4	33	10