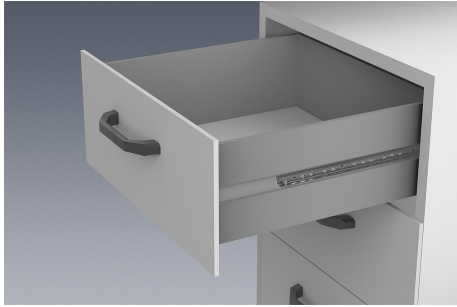


Telescopic slides, steel for slot mounting, over-extension, load capacity up to 20 kg

Item description/product images



Description

Material:

Slides steel.
Ball cages steel and plastic.
Balls C-steel.

Version:

Slides electro zinc-plated.
Balls hardened.

Note for ordering:

Supplied in pairs

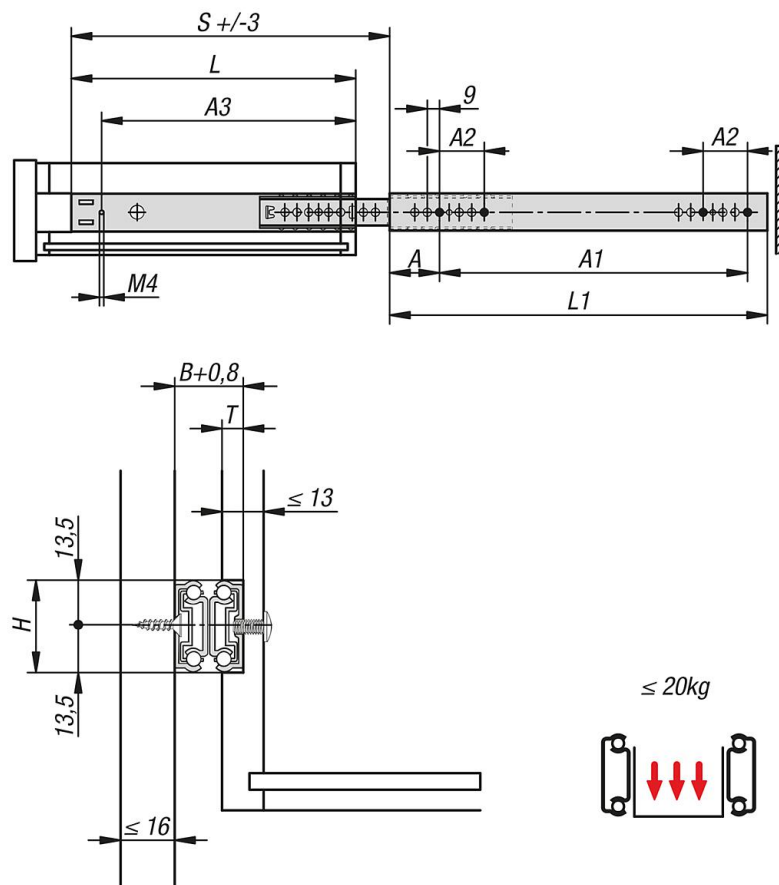
Note:

On slot-mounted telescopic slides with partial extension, the travel is shorter than the installed length. These are a low-cost solution for guiding drawers or similar items with little friction and high lateral stability. The dynamic load capacity of the telescopic slides indicates the maximum load rating of a vertically mounted slide pair when the entire extension length is used. The specified load capacities refer to the maximum value for 20,000 cycles.

Note:

The load capacity of all telescopic slides is tested to DIN EN 15338 Level 1.

Drawings



Telescopic slides, steel for slot mounting, over-extension, load capacity up to 20 kg

Overview of items

Steel telescopic slides for slot mounting, over-extension, load capacity up to 20 kg

Order No.	A	A1	A2	A3	B	H	L	L1	Travel S	T = slot depth	Loading per pair kg	Drawer depth from - to
K1568.0197	36	192	32	165	19,4	27	197	246	274	6-7	20	200 - 310
K1568.0303	36	256	32	271	19,4	27	303	310	334	6-7	20	310 - 450
K1568.0328	36	256	32	296	19,4	27	328	310	365	6-7	20	450 - 550