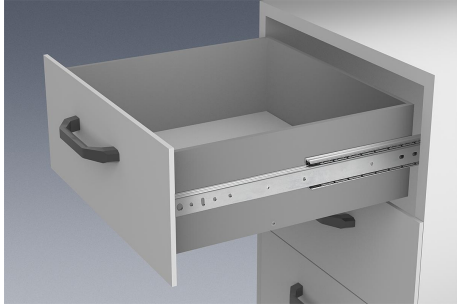


Telescopic slides, steel for side mounting, full extension, load capacity up to 35 kg

Item description/product images



Description

Material:

Slides steel.
Ball cages steel and plastic.
Balls C-steel.

Version:

Slides electro zinc-plated and trivalent blue passivated.
Balls hardened.

Note for ordering:

Supplied in pairs

Note:

On telescopic slides with full extension, the travel is equal to the installed length, which ensures greater comfort and accessibility. Interlocking in closed position. When the release lever is actuated, the drawer can be taken out easily and separated from the guide.

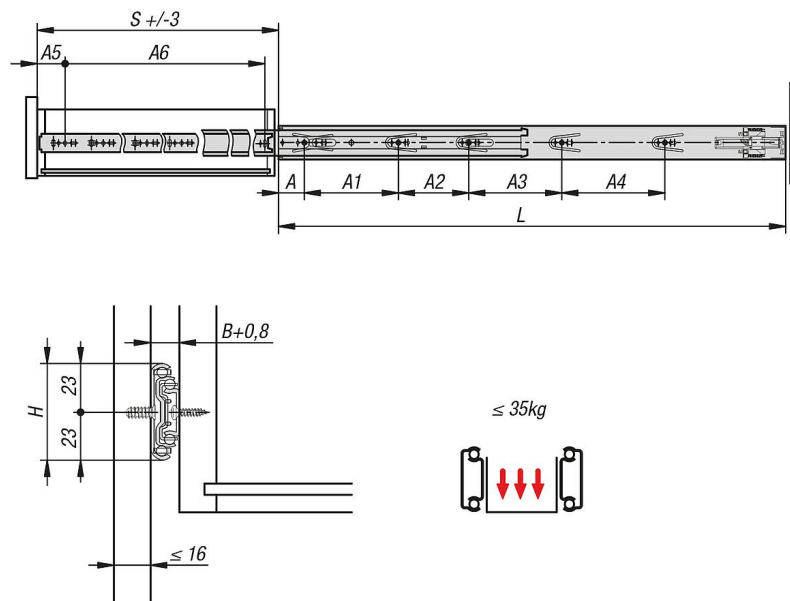
When slight pressure is applied, the telescopic slides move out by themselves, almost silently.

The dynamic load capacity of the telescopic slides indicates the maximum load rating of a vertically mounted slide pair when the entire extension length is used. The load capacities specified refer to the maximum value for 50,000 cycles.

Note:

The load capacity of all telescopic slides is tested to DIN EN 15338 Level 2.

Drawings



Overview of items

Steel telescopic slides for side mounting, full extension, load capacity up to 35 kg

Telescopic slides, steel for side mounting, full extension, load capacity up to 35 kg

Overview of items

| Order No. | A | A1 | A2 | A3 | A4 | A5 | A6 | B | H | L | Travel S | Loading per pair kg |
|-------------------|----|-----|-----|-----|-----|----|-----|------|----|-----|----------|---------------------|
| K1572.0300 | 35 | 128 | - | - | - | 35 | 192 | 12,7 | 46 | 300 | 300 | 35 |
| K1572.0350 | 35 | 128 | 64 | - | - | 35 | 242 | 12,7 | 46 | 350 | 350 | 35 |
| K1572.0400 | 35 | 128 | 96 | - | - | 35 | 292 | 12,7 | 46 | 400 | 400 | 35 |
| K1572.0450 | 35 | 128 | 160 | - | - | 35 | 342 | 12,7 | 46 | 450 | 450 | 35 |
| K1572.0500 | 35 | 128 | 96 | 96 | - | 35 | 392 | 12,7 | 46 | 500 | 500 | 35 |
| K1572.0550 | 35 | 128 | 96 | 128 | - | 35 | 442 | 12,7 | 46 | 550 | 550 | 35 |
| K1572.0600 | 35 | 128 | 96 | 128 | 96 | 35 | 492 | 12,7 | 46 | 600 | 600 | 35 |
| K1572.0650 | 35 | 128 | 96 | 128 | 128 | 35 | 542 | 12,7 | 46 | 650 | 650 | 35 |
| K1572.0700 | 35 | 128 | 96 | 128 | 192 | 35 | 592 | 12,7 | 46 | 700 | 700 | 35 |