

## Pull handles, oval plastic

### Item description/product images



### Description

#### Material:

Thermoset PF 31.

Tapped bush, steel or stainless steel.

#### Version:

Thermoset black, high-gloss polished.

Trivalent blue passivated steel or bright stainless steel.

#### Temperature range:

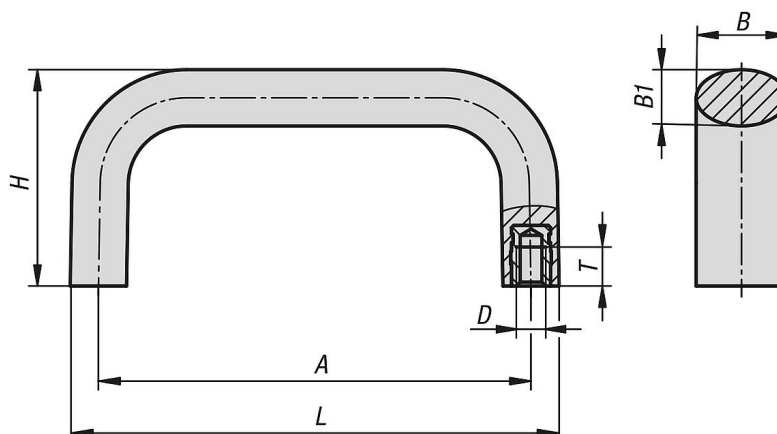
Permanent application temperature 140 °C.

Temporary operating temperature max. 160 °C.

#### Assembly:

From the rear.

### Drawings



### Overview of items

#### Plastic pull handles, oval

| Order No.      | Component material | A   | B  | B1 | D  | H  | L   | T  | Load capacity N |
|----------------|--------------------|-----|----|----|----|----|-----|----|-----------------|
| K1458.21000621 | steel              | 100 | 21 | 13 | M6 | 50 | 113 | 9  | 500             |
| K1458.21200621 | steel              | 120 | 21 | 13 | M6 | 50 | 133 | 9  | 500             |
| K1458.21280621 | steel              | 128 | 21 | 13 | M6 | 50 | 141 | 9  | 500             |
| K1458.21600825 | steel              | 160 | 25 | 17 | M8 | 55 | 177 | 12 | 500             |
| K1458.31000621 | stainless steel    | 100 | 21 | 13 | M6 | 50 | 113 | 9  | 500             |
| K1458.31200621 | stainless steel    | 120 | 21 | 13 | M6 | 50 | 133 | 9  | 500             |
| K1458.31280621 | stainless steel    | 128 | 21 | 13 | M6 | 50 | 141 | 9  | 500             |
| K1458.31600825 | stainless steel    | 160 | 25 | 17 | M8 | 55 | 177 | 12 | 500             |

