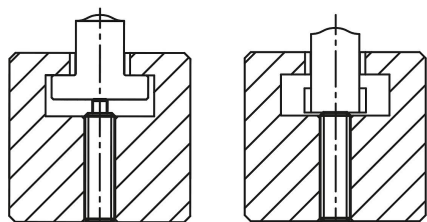


Spring plungers with hexagon socket and flattened thrust pin, steel

Item description/product images



Description

Material:

Sleeve steel grade 5.8.
Thrust pin steel.
Spring steel wire grade D.

Version:

Black oxidised.
Thrust pin hardened.

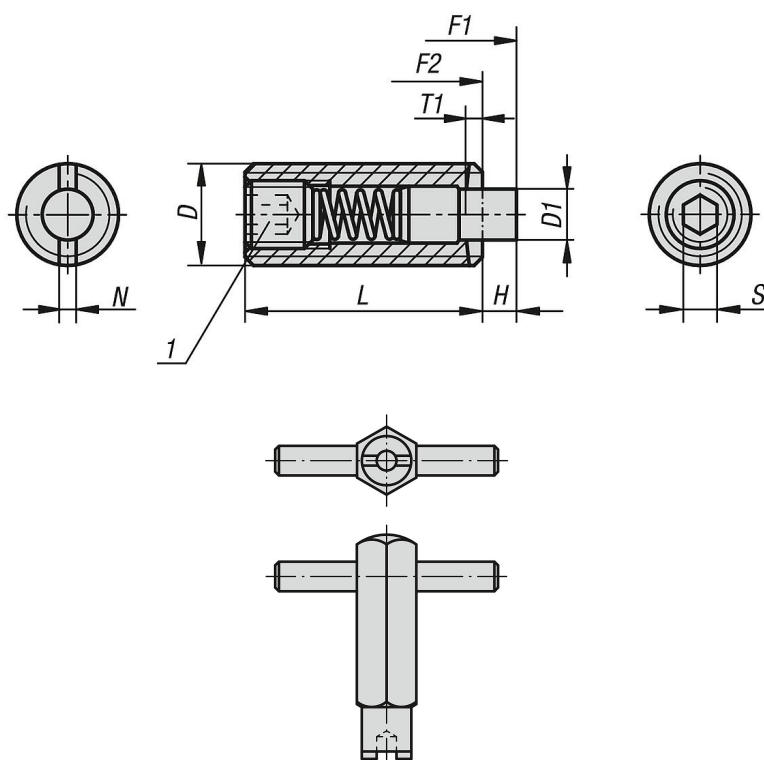
Note:

These spring plungers are chiefly used as ejectors and spring stops in machine construction.
The thrust pin is actuated in the axial direction.

Drawing reference:

1) grub screw glued in

Drawings



Overview of items

Spring plungers with hexagon socket and flattened thrust pin, standard spring force

Order No.	D	D1	H	L	T1	N	S	Spring force initial pressure F1 approx. N	Spring force final pressure F2 approx. N	Order No. Assembly key
K1370.05	M5	2,4	2,3	18	0,8	0,8	1,5	6	20	K0317.905

Spring plungers with hexagon socket and flattened thrust pin, steel

Overview of items

Order No.	D	D1	H	L	T1	N	S	Spring force initial pressure F1 approx. N	Spring force final pressure F2 approx. N	Order No. Assembly key
K1370.06	M6	2,7	2,5	20	1	1	2	7	20	K0317.906
K1370.08	M8	3,5	3	22	1,4	1,2	2,5	9	35	K0317.908
K1370.10	M10	4	3	22	1,4	1,6	3	9	35	K0317.910
K1370.12	M12	6	4	28	2	2	4	12	55	K0317.912
K1370.16	M16	7,5	5	32	2,5	2,5	5	45	100	K0317.916
K1370.20	M20	10	7	40	3	2,5	6	60	120	-