

Shaft collars set screw DIN 705, steel , Form E, hexagon socket

Item description/product images



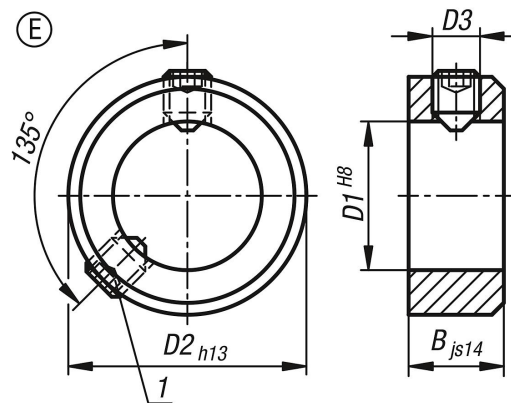
Description

Material:
Steel.

Version:
Bright or electro zinc-plated, trivalent blue passivated.

Drawing reference:
1) Second grub screw from D1 ≥ 75

Drawings



Overview of items

Order No.	Component material	Surface finish body	Form	D1	B	D2	D3 grub screw
K0406.300301	steel	bright	E	3	5	7	M2x3
K0406.300401	steel	bright	E	4	5	8	M2,5x3
K0406.300501	steel	bright	E	5	6	10	M3x4
K0406.300601	steel	bright	E	6	8	12	M4x5
K0406.300701	steel	bright	E	7	8	12	M4x5
K0406.300801	steel	bright	E	8	8	16	M4x6
K0406.300901	steel	bright	E	9	10	18	M5x8
K0406.301001	steel	bright	E	10	10	20	M5x8
K0406.301101	steel	bright	E	11	10	20	M5x8
K0406.301201	steel	bright	E	12	12	22	M6x8
K0406.301401	steel	bright	E	14	12	25	M6x8
K0406.301501	steel	bright	E	15	12	25	M6x8
K0406.301601	steel	bright	E	16	12	28	M6x8
K0406.301801	steel	bright	E	18	14	32	M6x8
K0406.302001	steel	bright	E	20	14	32	M6x8
K0406.302401	steel	bright	E	24	16	40	M8x12
K0406.302501	steel	bright	E	25	16	40	M8x10
K0406.302601	steel	bright	E	26	16	40	M8x10
K0406.302801	steel	bright	E	28	16	45	M8x12
K0406.303001	steel	bright	E	30	16	45	M8x10
K0406.303201	steel	bright	E	32	16	50	M8x12
K0406.303501	steel	bright	E	35	16	56	M8x12

Shaft collars set screw DIN 705, steel , Form E, hexagon socket

Overview of items

Order No.	Component material	Surface finish body	Form	D1	B	D2	D3 grub screw
K0406.303601	steel	bright	E	36	16	56	M8x12
K0406.303801	steel	bright	E	38	16	56	M8x12
K0406.304001	steel	bright	E	40	18	63	M10x16
K0406.304201	steel	bright	E	42	18	63	M10x16
K0406.304501	steel	bright	E	45	18	70	M10x16
K0406.304801	steel	bright	E	48	18	70	M10x16
K0406.305001	steel	bright	E	50	18	80	M10x16
K0406.305201	steel	bright	E	52	18	80	M10x16
K0406.305501	steel	bright	E	55	18	80	M10x16
K0406.305601	steel	bright	E	56	18	80	M10x16
K0406.305801	steel	bright	E	58	20	90	M10x16
K0406.306001	steel	bright	E	60	20	90	M10x16
K0406.306301	steel	bright	E	63	20	90	M10x16
K0406.306501	steel	bright	E	65	20	100	M10x20
K0406.306801	steel	bright	E	68	20	100	M10x20
K0406.307001	steel	bright	E	70	20	100	M10x20
K0406.307201	steel	bright	E	72	20	100	M10x20
K0406.307501	stainless steel A2	bright	E	75	22	110	M12x20
K0406.308001	stainless steel A2	bright	E	80	22	110	M12x20
K0406.308501	stainless steel A2	bright	E	85	22	125	M12x25
K0406.309001	stainless steel A2	bright	E	90	22	125	M12x20
K0406.310001	stainless steel A2	bright	E	100	25	140	M12x25
K0406.300303	steel	galvanized, blue-passivated	E	3	5	7	M2x3
K0406.300403	steel	galvanized, blue-passivated	E	4	5	8	M2,5x3
K0406.300503	steel	galvanized, blue-passivated	E	5	6	10	M3x4
K0406.300603	steel	galvanized, blue-passivated	E	6	8	12	M4x5
K0406.300703	steel	galvanized, blue-passivated	E	7	8	12	M4x5
K0406.300803	steel	galvanized, blue-passivated	E	8	8	16	M4x6
K0406.300903	steel	galvanized, blue-passivated	E	9	10	18	M5x8
K0406.301003	steel	galvanized, blue-passivated	E	10	10	20	M5x8
K0406.301103	steel	galvanized, blue-passivated	E	11	10	20	M5x8
K0406.301203	steel	galvanized, blue-passivated	E	12	12	22	M6x8
K0406.301403	steel	galvanized, blue-passivated	E	14	12	25	M6x8
K0406.301503	steel	galvanized, blue-passivated	E	15	12	25	M6x8
K0406.301603	steel	galvanized, blue-passivated	E	16	12	28	M6x8
K0406.301803	steel	galvanized, blue-passivated	E	18	14	32	M6x8
K0406.302003	steel	galvanized, blue-passivated	E	20	14	32	M6x8
K0406.302403	steel	galvanized, blue-passivated	E	24	16	40	M8x12
K0406.302503	steel	galvanized, blue-passivated	E	25	16	40	M8x10
K0406.302603	steel	galvanized, blue-passivated	E	26	16	40	M8x10
K0406.302803	steel	galvanized, blue-passivated	E	28	16	45	M8x12
K0406.303003	steel	galvanized, blue-passivated	E	30	16	45	M8x10
K0406.303203	steel	galvanized, blue-passivated	E	32	16	50	M8x12
K0406.303503	steel	galvanized, blue-passivated	E	35	16	56	M8x12
K0406.303603	steel	galvanized, blue-passivated	E	36	16	56	M8x12
K0406.303803	steel	galvanized, blue-passivated	E	38	16	56	M8x12
K0406.304003	steel	galvanized, blue-passivated	E	40	18	63	M10x16
K0406.304203	steel	galvanized, blue-passivated	E	42	18	63	M10x16
K0406.304503	steel	galvanized, blue-passivated	E	45	18	70	M10x16
K0406.304803	steel	galvanized, blue-passivated	E	48	18	70	M10x16
K0406.305003	steel	galvanized, blue-passivated	E	50	18	80	M10x16
K0406.305203	steel	galvanized, blue-passivated	E	52	18	80	M10x16
K0406.305503	steel	galvanized, blue-passivated	E	55	18	80	M10x16
K0406.305603	steel	galvanized, blue-passivated	E	56	18	80	M10x16
K0406.305803	steel	galvanized, blue-passivated	E	58	20	90	M10x16
K0406.306003	steel	galvanized, blue-passivated	E	60	20	90	M10x16
K0406.306303	steel	galvanized, blue-passivated	E	63	20	90	M10x16
K0406.306503	steel	galvanized, blue-passivated	E	65	20	100	M10x20
K0406.306803	steel	galvanized, blue-passivated	E	68	20	100	M10x20
K0406.307003	steel	galvanized, blue-passivated	E	70	20	100	M10x20
K0406.307203	steel	galvanized, blue-passivated	E	72	20	100	M10x20
K0406.307503	steel	galvanized, blue-passivated	E	75	22	110	M12x20

Shaft collars set screw DIN 705, steel , Form E, hexagon socket

Overview of items

Order No.	Component material	Surface finish body	Form	D1	B	D2	D3 grub screw
K0406.308003	steel	galvanized, blue-passivated	E	80	22	110	M12x20
K0406.308503	steel	galvanized, blue-passivated	E	85	22	125	M12x25
K0406.309003	steel	galvanized, blue-passivated	E	90	22	125	M12x20
K0406.310003	steel	galvanized, blue-passivated	E	100	25	140	M12x25