

Shaft collars set screw DIN 705, steel , Form A, recess

Item description/product images



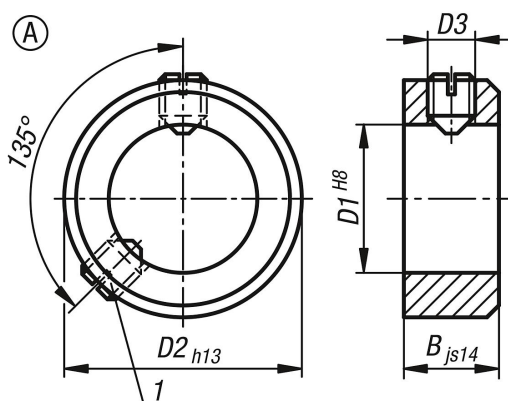
Description

Material:
Steel.

Version:
Bright.

Drawing reference:
1) Second grub screw from D1 ≥ 75

Drawings



Overview of items

Order No.	Component material	Surface finish body	Form	D1	B	D2	D3 grub screw
K0406.100301	steel	bright	A	3	5	7	M2x3
K0406.100401	steel	bright	A	4	5	8	M2,5x3
K0406.100501	steel	bright	A	5	6	10	M3x4
K0406.100601	steel	bright	A	6	8	12	M4x5
K0406.100701	steel	bright	A	7	8	12	M4x5
K0406.100801	steel	bright	A	8	8	16	M4x6
K0406.100901	steel	bright	A	9	10	18	M5x8
K0406.101001	steel	bright	A	10	10	20	M5x8
K0406.101101	steel	bright	A	11	10	20	M5x8
K0406.101201	steel	bright	A	12	12	22	M6x8
K0406.101401	steel	bright	A	14	12	25	M6x8
K0406.101501	steel	bright	A	15	12	25	M6x8
K0406.101601	steel	bright	A	16	12	28	M6x8
K0406.101801	steel	bright	A	18	14	32	M6x8
K0406.102001	steel	bright	A	20	14	32	M6x8
K0406.102401	steel	bright	A	24	16	40	M8x12
K0406.102501	steel	bright	A	25	16	40	M8x10
K0406.102601	steel	bright	A	26	16	40	M8x10
K0406.102801	steel	bright	A	28	16	45	M8x12
K0406.103001	steel	bright	A	30	16	45	M8x10
K0406.103201	steel	bright	A	32	16	50	M8x12
K0406.103501	steel	bright	A	35	16	56	M8x12

Shaft collars set screw DIN 705, steel , Form A, recess

Overview of items

Order No.	Component material	Surface finish body	Form	D1	B	D2	D3 grub screw
K0406.103601	steel	bright	A	36	16	56	M8x12
K0406.103801	steel	bright	A	38	16	56	M8x12
K0406.104001	steel	bright	A	40	18	63	M10x16
K0406.104201	steel	bright	A	42	18	63	M10x16
K0406.104501	steel	bright	A	45	18	70	M10x16
K0406.104801	steel	bright	A	48	18	70	M10x16
K0406.105001	steel	bright	A	50	18	80	M10x16
K0406.105201	steel	bright	A	52	18	80	M10x16
K0406.105501	steel	bright	A	55	18	80	M10x16
K0406.105601	steel	bright	A	56	18	80	M10x16
K0406.105801	steel	bright	A	58	20	90	M10x16
K0406.106001	steel	bright	A	60	20	90	M10x16
K0406.106301	steel	bright	A	63	20	90	M10x16
K0406.106501	steel	bright	A	65	20	100	M10x20
K0406.106801	steel	bright	A	68	20	100	M10x20
K0406.107001	steel	bright	A	70	20	100	M10x20
K0406.107201	steel	bright	A	72	20	100	M10x20
K0406.107501	steel	bright	A	75	22	110	M12x20
K0406.108001	steel	bright	A	80	22	110	M12x20
K0406.108501	steel	bright	A	85	22	125	M12x25
K0406.109001	steel	bright	A	90	22	125	M12x20
K0406.110001	steel	bright	A	100	25	140	M12x25