

Shaft collars set screw DIN 705, stainless steel , Form E, hexagon socket

Item description/product images



Description

Material:

Stainless steel 1.4305.

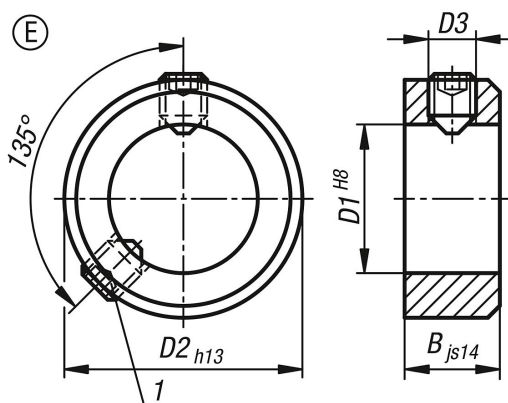
Version:

Bright.

Drawing reference:

1) Second grub screw from D1 ≥ 75

Drawings



Overview of items

Order No.	Form	Component material	D1	B	D2	D3 grub screw
K0406.300302	E	stainless steel	3	5	7	M2x3
K0406.300402	E	stainless steel	4	5	8	M2,5x3
K0406.300502	E	stainless steel	5	6	10	M3x4
K0406.300602	E	stainless steel	6	8	12	M4x5
K0406.300702	E	stainless steel	7	8	12	M4x5
K0406.300802	E	stainless steel	8	8	16	M4x6
K0406.300902	E	stainless steel	9	10	18	M5x8
K0406.301002	E	stainless steel	10	10	20	M5x8
K0406.301102	E	stainless steel	11	10	20	M5x8
K0406.301202	E	stainless steel	12	12	22	M6x8
K0406.301402	E	stainless steel	14	12	25	M6x8
K0406.301502	E	stainless steel	15	12	25	M6x8
K0406.301602	E	stainless steel	16	12	28	M6x8
K0406.301802	E	stainless steel	18	14	32	M6x8
K0406.302002	E	stainless steel	20	14	32	M6x8
K0406.302402	E	stainless steel	24	16	40	M8x12

Shaft collars set screw DIN 705, stainless steel , Form E, hexagon socket

Overview of items

Order No.	Form	Component material	D1	B	D2	D3 grub screw
K0406.302502	E	stainless steel	25	16	40	M8x10
K0406.302602	E	stainless steel	26	16	40	M8x10
K0406.302802	E	stainless steel	28	16	45	M8x12
K0406.303002	E	stainless steel	30	16	45	M8x10
K0406.303202	E	stainless steel	32	16	50	M8x12
K0406.303502	E	stainless steel	35	16	56	M8x12
K0406.303602	E	stainless steel	36	16	56	M8x12
K0406.303802	E	stainless steel	38	16	56	M8x12
K0406.304002	E	stainless steel	40	18	63	M10x16
K0406.304202	E	stainless steel	42	18	63	M10x16
K0406.304502	E	stainless steel	45	18	70	M10x16
K0406.304802	E	stainless steel	48	18	70	M10x16
K0406.305002	E	stainless steel	50	18	80	M10x16
K0406.305202	E	stainless steel	52	18	80	M10x16
K0406.305502	E	stainless steel	55	18	80	M10x16
K0406.305602	E	stainless steel	56	18	80	M10x16
K0406.305802	E	stainless steel	58	20	90	M10x16
K0406.306002	E	stainless steel	60	20	90	M10x16
K0406.306302	E	stainless steel	63	20	90	M10x16
K0406.306502	E	stainless steel	65	20	100	M10x20
K0406.306802	E	stainless steel	68	20	100	M10x20
K0406.307002	E	stainless steel	70	20	100	M10x20
K0406.307202	E	stainless steel	72	20	100	M10x20
K0406.307502	E	stainless steel	75	22	110	M12x20
K0406.308002	E	stainless steel	80	22	110	M12x20
K0406.308502	E	stainless steel	85	22	125	M12x25
K0406.309002	E	stainless steel	90	22	125	M12x20
K0406.310002	E	stainless steel	100	25	140	M12x25