

Ball lock pins with head-end lock and stainless steel bracket

Item description/product images



Description

Material:

Grip and push button 1.4305 stainless steel.
Pin 1.4305 stainless steel.
Balls 1.4125 stainless steel.
Spring and hanger 1.4310 stainless steel wire.

Version:

Bright.

Note:

Ball lock pins are used for easy fastening or joining of components. The two balls are disengaged by pressing the push button and the pin can be slipped into holes in the workpieces. When the push button is released, the balls lock the connection securely.

Shear force double shear (F) = S · τ aB max.

The values given for the shear force are the theoretical breaking load. These are non-binding reference values without consideration of safety factors and exclude any liability. The values given are for information purposes only and do not constitute a legally binding assurance of properties.

The load values have been calculated in accordance with DIN 50141. Each user must determine individually whether the ball lock pin is suitable for the respective application.

Different materials in which the ball lock pins are used, weather conditions and wear can influence the determined values.

Advantages:

Wide connections possible.
The pin length does not need to be coordinated with the component width.

On request:

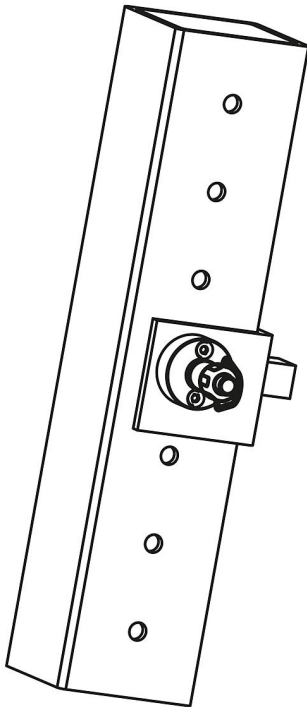
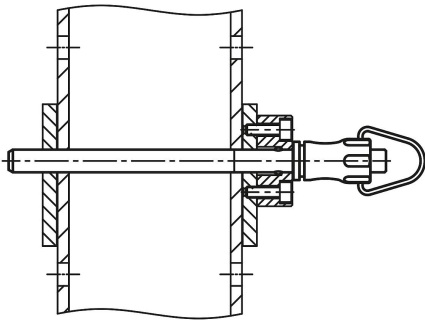
Other pin lengths.

Accessory:

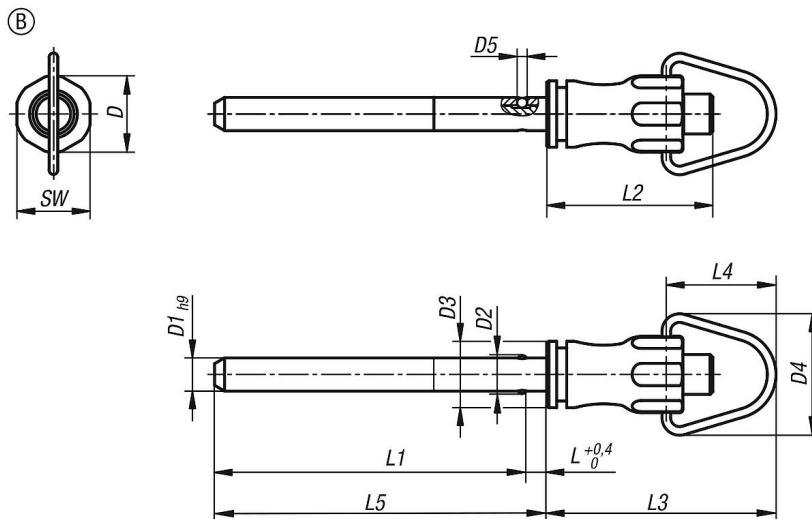
Adapter bushes for ball lock pins with head lock K1416.
For Form B:
Safety spiral cable K0367
Retaining cable with eyelet K0367
Key ring K0367

Ball lock pins with head-end lock and stainless steel bracket

Item description/product images



Drawings



Ball lock pins with head-end lock and stainless steel bracket

Overview of items

Order No.	Form	D	D1	D2	D3	D4	D5	L	L1	L2	L3	L4	L5	SW	Receiving hole H11	Shearing force double shear max.kN
K1414.101205050	B	11,5	5	5,5	10	18,3	1,5	3	47	25	34,6	16,6	50	11	5	10
K1414.101205100	B	11,5	5	5,5	10	18,3	1,5	3	97	25	34,6	16,6	100	11	5	10
K1414.101205150	B	11,5	5	5,5	10	18,3	1,5	3	147	25	34,6	16,6	150	11	5	10
K1414.101206050	B	11,5	6	6,85	10	18,3	2	3	47	25	34,6	16,6	50	11	6	14
K1414.101206100	B	11,5	6	6,85	10	18,3	2	3	97	25	34,6	16,6	100	11	6	14
K1414.101206150	B	11,5	6	6,85	10	18,3	2	3	147	25	34,6	16,6	150	11	6	14
K1414.101508100	B	15,5	8	9,5	13,5	24	3	3,5	96,5	33	46,7	22,7	100	15	8	26
K1414.101508150	B	15,5	8	9,5	13,5	24	3	3,5	146,5	33	46,7	22,7	150	15	8	26
K1414.101508200	B	15,5	8	9,5	13,5	24	3	3,5	196,5	33	46,7	22,7	200	15	8	26
K1414.101510100	B	15,5	10	12	13,5	24	4	3,5	96,5	33	46,7	22,7	100	15	10	40
K1414.101510150	B	15,5	10	12	13,5	24	4	3,5	146,5	33	46,7	22,7	150	15	10	40
K1414.101510200	B	15,5	10	12	13,5	24	4	3,5	196,5	33	46,7	22,7	200	15	10	40
K1414.102112150	B	22	12	14,5	20	33	4,5	3,5	146,5	39,5	59,3	30,3	150	21	12	57
K1414.102112200	B	22	12	14,5	20	33	4,5	3,5	196,5	39,5	59,3	30,3	200	21	12	57
K1414.102112250	B	22	12	14,5	20	33	4,5	3,5	246,5	39,5	59,3	30,3	250	21	12	57
K1414.102116150	B	22	16	19	20	33	6,5	4	146	39,5	59,3	30,3	150	21	16	100
K1414.102116200	B	22	16	19	20	33	6,5	4	196	39,5	59,3	30,3	200	21	16	100
K1414.102116250	B	22	16	19	20	33	6,5	4	246	39,5	59,3	30,3	250	21	16	100