

## Angle plates with T-slots, grey cast iron

### Item description/product images

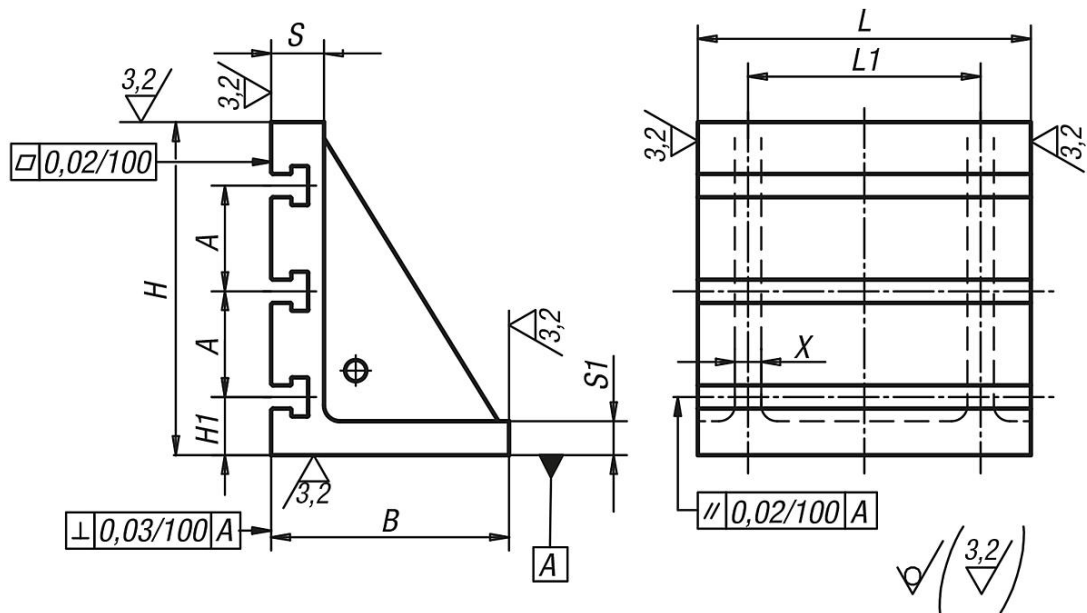


### Description

**Material:**  
GJL 250 annealed.

**On request:**  
Other slot widths.

### Drawings



### Overview of items

Order No.	Version 1	L	L1	B	H	H1	S	S1	A	X	T-slot
K1451.3203701	with t-slot	320	280	200	370	65	50	25	80	25	14
K1451.4004501	with t-slot	400	280	265	450	75	60	30	100	30	18
K1451.5005501	with t-slot	500	360	315	550	75	70	35	100	35	18