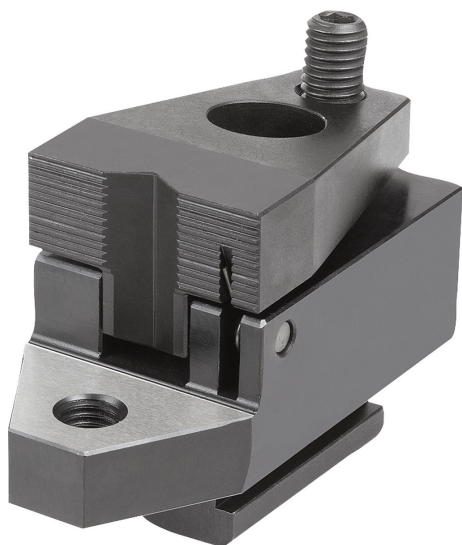


Side clamps with support, Form B, with prism jaw

Item description/product images



Description

Material:

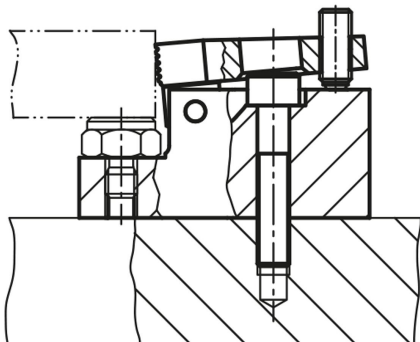
Steel.

Version:

Case-hardened and black oxidised.

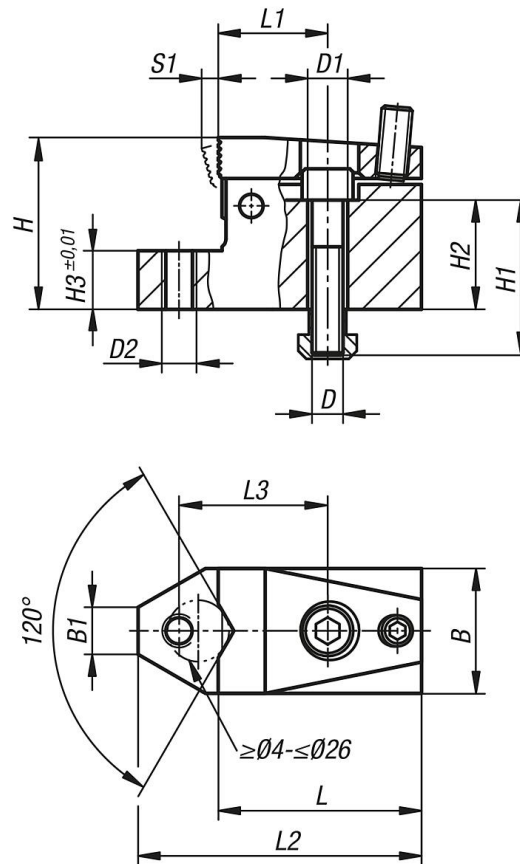
Note:

Tightening the ball-end thrust screw moves the jaw plates forwards. The workpiece is pushed against the fixed stop and simultaneously forced down onto the seating face. This side clamp has a ground seating face and tapped hole for adjustable support elements.



Side clamps with support, Form B, with prism jaw

Drawings



Overview of items

Order No.	Form	Slot width	B	B1	D	D1	D2	H	H1	H2	H3	L	L1	L2	L3	S1 (travel)	Clamping force N	Tightening torque max. Nm
K1387.210	B	10	32	12,1	M8	8,4	M8	44	40	28	15	52	28	72,5	38	3	7000	3
K1387.214	B	14	48	16	M12	13	M12	53	45	27	15	72	40	100	55	4	15000	9
K1387.218	B	18	68	18,8	M16	17	M16	72	60	38	20	86	41	126	63	7	21500	20