

Side clamps, Form B, with prism jaw

Item description/product images



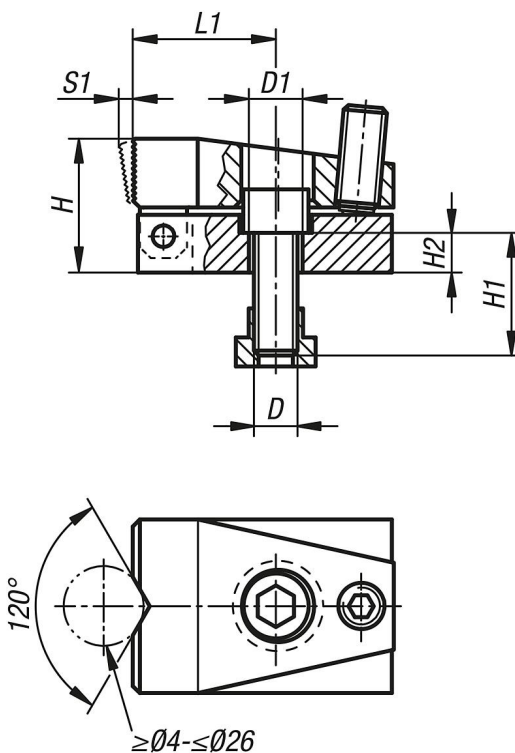
Description

Material:
Steel.

Version:
Case-hardened and black oxidised.

Note:
Tightening the ball-end thrust screw moves the jaw plates forwards. The workpiece is pushed against the fixed stop and simultaneously forced down onto the seating face. The seating face for the workpiece can be mounted directly on the machine table.

Drawings



Overview of items

Order No.	Form	Slot width	B	D	D1	H	H1	H2	L	L1	S1 (travel)	Clamping force N	Tightening torque max. Nm
K1386.210	B	10	32	M8	8,4	24	20	8	52	28	3	7000	3
K1386.214	B	14	48	M12	12,5	37	30	11	72	40	4	15000	9
K1386.218	B	18	68	M16	16,5	47	35	13	86	41	7	21500	20

