

## Spring hinges, steel, stainless steel or aluminium, 120 mm, spring open

### Item description/product images



### Description

**Material:**

Steel, 1.4301 stainless steel or 5754 aluminium.  
Tension spring steel or stainless steel.

**Version:**

Steel bright or electro zinc-plated  
Stainless steel and aluminium, bright.  
Tension spring Zn/Al alloy.

**Note:**

Butt type hinges.  
Opening angle 270°.

**Spring torque:**

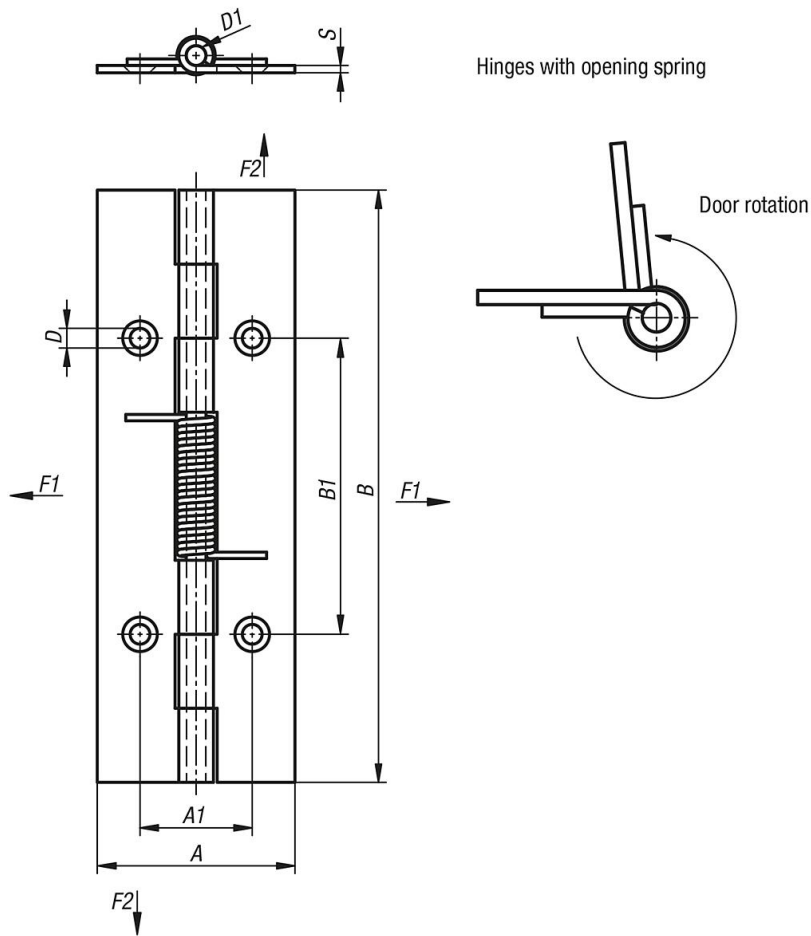
M(0°): 0.85 Nm / M(90°): 0.56 Nm / M(180°): 0.28 Nm

By the aluminium hinges, the tension springs are steel alloyed with Zn/Al.

Form A: without holes  
Form B: with holes

Spring hinges, steel, stainless steel or aluminium, 120 mm, spring open

Drawings



Overview of items

Order No.	Form	Version 1	Main material	A	A1	B	B1	D	D1	S
K1175.4012000	A	spring open	steel	40	-	120	-	-	4	1,5
K1175.4012001	B	spring open	steel	40	22,7	120	60	4	4	1,5
K1175.14012000	A	spring open	stainless steel A2	40	-	120	-	-	4	1,5
K1175.14012001	B	spring open	stainless steel A2	40	22,7	120	60	4	4	1,5
K1175.24012000	A	spring open	aluminium	40	-	120	-	-	4	1,5
K1175.24012001	B	spring open	aluminium	40	22,7	120	60	4	4	1,5