

Hinges, stainless steel lift-off, left

Item description/product images



Description

Material:

Hinge stainless steel 1.4401.

Pin stainless steel 1.4104.

Version:

High-gloss polished.

Note:

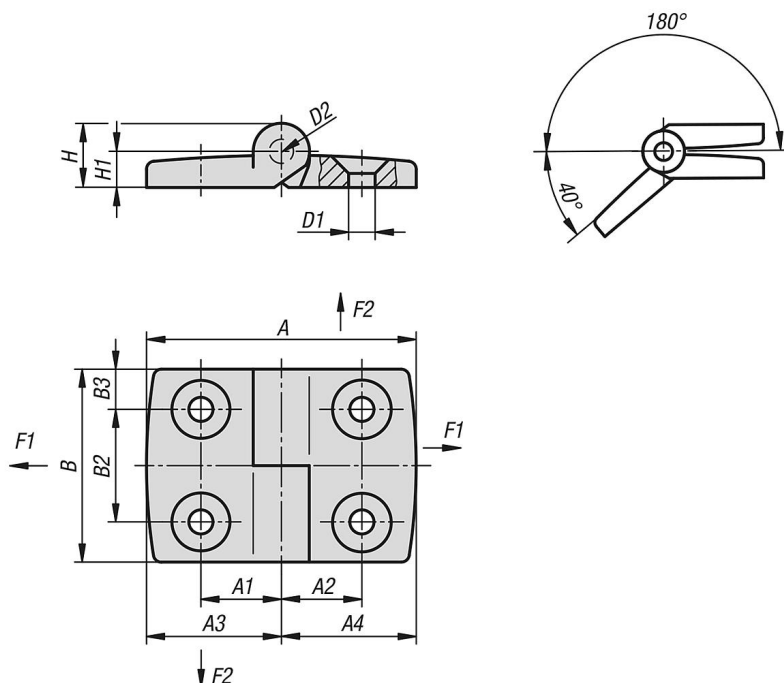
Hinge for panel elements and aluminium profiles, lift-off. Pin end closed. Screws countersunk, thus minimum dirt accumulation.

The loading values given for the hinges are non-binding reference values without consideration of safety factors and exclude any liability. The values given are for information purposes only and do not constitute a legally binding assurance of properties.

The load values have been determined under laboratory conditions. Each user must determine individually whether the hinge is suitable for the respective application.

Different materials onto which the hinges are installed and the type of mounting, weather conditions and wear can influence the determined values.

Drawings



Overview of items

Hinges, stainless steel, lift-off, left

Hinges, stainless steel lift-off, left

Overview of items

Order No.	A	A1	A2	A3	A4	B	B2	B3	D1	D2	H	H1	F1 N	F2 N
K1345.16261515	52	15	15	26	26	48	28	10	6,6	6	16	9	900	625
K1345.16301818	59	17,5	17,5	29,5	29,5	48	28	10	6,6	6	16	9	1000	710
K1345.16392323	77	22,5	22,5	38,5	38,5	48	28	10	6,6	6	16	9	1200	500
K1345.16442525	87	25	25	43,5	43,5	48	28	10	6,6	6	16	9	1200	450
K1345.16583333	115	32,5	32,5	57,5	57,5	48	28	10	6,6	6	16	9	1200	350