

Hexagon head bolts with narrow shaft in Hygienic DESIGN

Item description/product images



Description

Material:

Stainless steel 1.4404.

Version:

Polished.

Note:

Narrow shaft bolts are preferably secured against unintentional loss with a retaining element. This satisfies the EU standard 2006/42/EG. With the optionally available retaining washer the bolt is permanently combined with the component before screwing in. The washer is screwed over the threaded section and can then move freely on the narrow shaft. The shaft is not damaged by e.g. notching caused by a spring effect. By manual operation it is not possible that the washer screws itself out again. However, by careful manipulation the washer can be removed from the bolt without damaging either.

The surface of the hexagon head bolt is polished and, with regard to design optimised for the use in hygienic environments. The bolt head is convex on the top face and the collar has a conical formed top surface. Instead of troublesome embossing or indentations, the bolt head is smooth with a surface finish of less than $Ra\ 0.8\ \mu\text{m}$. Dirt and residue from products or cleaners seldom adheres and easy cleaning is ensured.

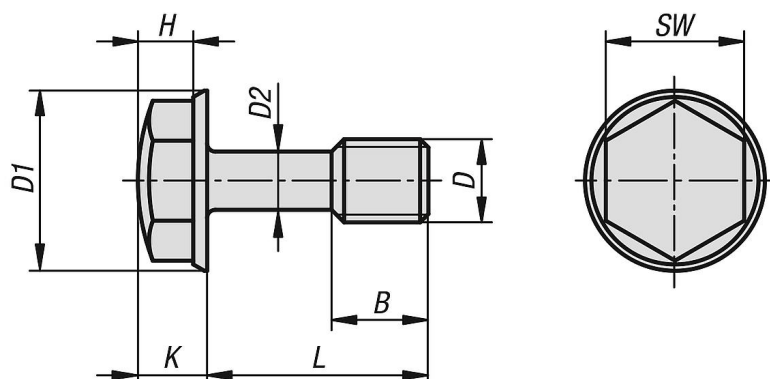
On request:

Inch threads, thread lengths, shaft lengths

Accessory:

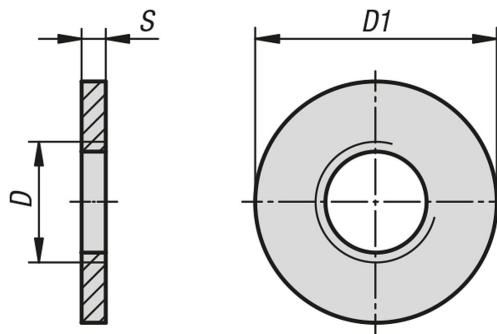
Locking washer K1331.

Drawings



Hexagon head bolts with narrow shaft in Hygienic DESIGN

Drawings



Overview of items

Hexagon head bolts with narrow shaft in Hygienic DESIGN

Order No.	Main material	D	D1	D2	H	B	S	K	L	SW
K1330.03X6	stainless steel A4	M3	7	2,1	3	4,5	-	3,8	6	5,5
K1330.03X8	stainless steel A4	M3	7	2,1	3	4,5	-	3,8	8	5,5
K1330.03X10	stainless steel A4	M3	7	2,1	3	4,5	-	3,8	10	5,5
K1330.04X8	stainless steel A4	M4	9,2	3,1	3	5	-	4	8	7
K1330.04X10	stainless steel A4	M4	9,2	3,1	3	5	-	4	10	7
K1330.04X12	stainless steel A4	M4	9,2	3,1	3	5	-	4	12	7
K1330.04X16	stainless steel A4	M4	9,2	3,1	3	5	-	4	16	7
K1330.04X20	stainless steel A4	M4	9,2	3,1	3	14	-	4	20	7
K1330.04X25	stainless steel A4	M4	9,2	3,1	3	14	-	4	25	7
K1330.04X30	stainless steel A4	M4	9,2	3,1	3	14	-	4	30	7
K1330.04X35	stainless steel A4	M4	9,2	3,1	3	14	-	4	35	7
K1330.04X40	stainless steel A4	M4	9,2	3,1	3	14	-	4	40	7
K1330.05X10	stainless steel A4	M5	10,5	3,7	3,7	6	-	4,7	10	8
K1330.05X12	stainless steel A4	M5	10,5	3,7	3,7	6	-	4,7	12	8
K1330.05X16	stainless steel A4	M5	10,5	3,7	3,7	6	-	4,7	16	8
K1330.05X20	stainless steel A4	M5	10,5	3,7	3,7	6	-	4,7	20	8
K1330.05X25	stainless steel A4	M5	10,5	3,7	3,7	16	-	4,7	25	8
K1330.05X30	stainless steel A4	M5	10,5	3,7	3,7	16	-	4,7	30	8
K1330.05X35	stainless steel A4	M5	10,5	3,7	3,7	16	-	4,7	35	8
K1330.05X40	stainless steel A4	M5	10,5	3,7	3,7	16	-	4,7	40	8
K1330.05X45	stainless steel A4	M5	10,5	3,7	3,7	16	-	4,7	45	8
K1330.05X50	stainless steel A4	M5	10,5	3,7	3,7	16	-	4,7	50	8
K1330.06X10	stainless steel A4	M6	13	4,2	4	7	-	5	10	10
K1330.06X12	stainless steel A4	M6	13	4,2	4	7	-	5	12	10
K1330.06X16	stainless steel A4	M6	13	4,2	4	7	-	5	16	10
K1330.06X20	stainless steel A4	M6	13	4,2	4	7	-	5	20	10
K1330.06X25	stainless steel A4	M6	13	4,2	4	18	-	5	25	10
K1330.06X30	stainless steel A4	M6	13	4,2	4	18	-	5	30	10
K1330.06X35	stainless steel A4	M6	13	4,2	4	18	-	5	35	10
K1330.06X40	stainless steel A4	M6	13	4,2	4	18	-	5	40	10
K1330.06X45	stainless steel A4	M6	13	4,2	4	18	-	5	45	10
K1330.06X50	stainless steel A4	M6	13	4,2	4	18	-	5	50	10
K1330.06X60	stainless steel A4	M6	13	4,2	4	18	-	5	60	10
K1330.08X12	stainless steel A4	M8	16,8	6	5,5	9	-	6,5	12	13
K1330.08X14	stainless steel A4	M8	16,8	6	5,5	9	-	6,5	14	13
K1330.08X16	stainless steel A4	M8	16,8	6	5,5	9,5	-	6,5	16	13
K1330.08X20	stainless steel A4	M8	16,8	6	5,5	9,5	-	6,5	20	13
K1330.08X25	stainless steel A4	M8	16,8	6	5,5	9,5	-	6,5	25	13
K1330.08X30	stainless steel A4	M8	16,8	6	5,5	22	-	6,5	30	13
K1330.08X35	stainless steel A4	M8	16,8	6	5,5	22	-	6,5	35	13
K1330.08X40	stainless steel A4	M8	16,8	6	5,5	22	-	6,5	40	13
K1330.08X45	stainless steel A4	M8	16,8	6	5,5	22	-	6,5	45	13

Hexagon head bolts with narrow shaft in Hygienic DESIGN

Overview of items

Order No.	Main material	D	D1	D2	H	B	S	K	L	SW
K1330.08X50	stainless steel A4	M8	16,8	6	5,5	22	-	6,5	50	13
K1330.08X55	stainless steel A4	M8	16,8	6	5,5	9	-	6,5	55	13
K1330.08X60	stainless steel A4	M8	16,8	6	5,5	22	-	6,5	60	13
K1330.08X70	stainless steel A4	M8	16,8	6	5,5	22	-	6,5	70	13
K1330.08X80	stainless steel A4	M8	16,8	6	5,5	22	-	6,5	80	13
K1330.10X20	stainless steel A4	M10	20,6	7,7	7,3	12	-	8,3	20	16
K1330.10X25	stainless steel A4	M10	20,6	7,7	7,3	12	-	8,3	25	16
K1330.10X30	stainless steel A4	M10	20,6	7,7	7,3	12	-	8,3	30	16
K1330.10X35	stainless steel A4	M10	20,6	7,7	7,3	12	-	8,3	35	16
K1330.10X40	stainless steel A4	M10	20,6	7,7	7,3	26	-	8,3	40	16
K1330.10X45	stainless steel A4	M10	20,6	7,7	7,3	26	-	8,3	45	16
K1330.10X50	stainless steel A4	M10	20,6	7,7	7,3	26	-	8,3	50	16
K1330.10X60	stainless steel A4	M10	20,6	7,7	7,3	26	-	8,3	60	16
K1330.10X65	stainless steel A4	M10	20,6	7,7	7,3	12	-	8,3	65	16
K1330.10X70	stainless steel A4	M10	20,6	7,7	7,3	26	-	8,3	70	16
K1330.10X75	stainless steel A4	M10	20,6	7,7	7,3	12	-	8,3	75	16
K1330.10X80	stainless steel A4	M10	20,6	7,7	7,3	26	-	8,3	80	16
K1330.12X25	stainless steel A4	M12	23,8	9,5	8,6	14,5	-	10	25	18
K1330.12X30	stainless steel A4	M12	23,8	9,5	8,6	14,5	-	10	30	18
K1330.12X35	stainless steel A4	M12	23,8	9,5	8,6	14,5	-	10	35	18
K1330.12X40	stainless steel A4	M12	23,8	9,5	8,6	14,5	-	10	40	18
K1330.12X45	stainless steel A4	M12	23,8	9,5	8,6	30	-	10	45	18
K1330.12X50	stainless steel A4	M12	23,8	9,5	8,6	30	-	10	50	18
K1330.12X60	stainless steel A4	M12	23,8	9,5	8,6	30	-	10	60	18
K1330.12X70	stainless steel A4	M12	23,8	9,5	8,6	30	-	10	70	18
K1330.12X80	stainless steel A4	M12	23,8	9,5	8,6	30	-	10	80	18
K1330.16X30	stainless steel A4	M16	29,7	13	11,1	19	-	12,5	30	24
K1330.16X35	stainless steel A4	M16	29,7	13	11,1	19	-	12,5	35	24
K1330.16X40	stainless steel A4	M16	29,7	13	11,1	19	-	12,5	40	24
K1330.16X45	stainless steel A4	M16	29,7	13	11,1	19	-	12,5	45	24
K1330.16X50	stainless steel A4	M16	29,7	13	11,1	19	-	12,5	50	24
K1330.16X60	stainless steel A4	M16	29,7	13	11,1	38	-	12,5	60	24
K1330.16X70	stainless steel A4	M16	29,7	13	11,1	38	-	12,5	70	24
K1330.16X80	stainless steel A4	M16	29,7	13	11,1	38	-	12,5	80	24
K1331.03	stainless steel A4	M3	6	-	-	-	1,5	-	-	-
K1331.04	stainless steel A4	M4	8	-	-	-	1,5	-	-	-
K1331.05	stainless steel A4	M5	10	-	-	-	1,5	-	-	-
K1331.06	stainless steel A4	M6	12	-	-	-	1,5	-	-	-
K1331.08	stainless steel A4	M8	16	-	-	-	2	-	-	-
K1331.10	stainless steel A4	M10	20	-	-	-	2	-	-	-
K1331.12	stainless steel A4	M12	24	-	-	-	2,5	-	-	-
K1331.16	stainless steel A4	M16	32	-	-	-	3	-	-	-