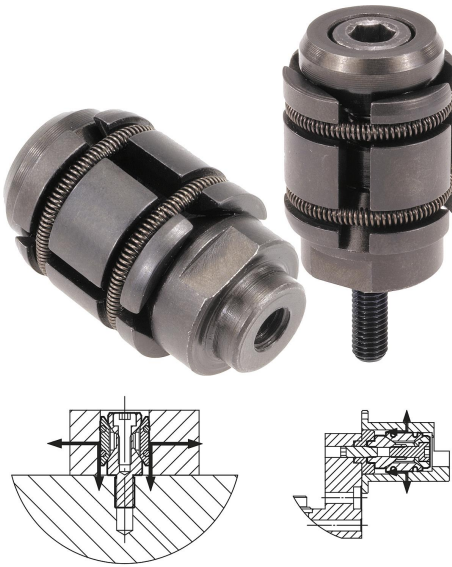


Centring clamps

Item description/product images



Description

Material:

Body steel.

Bushes carbon steel.

Version:

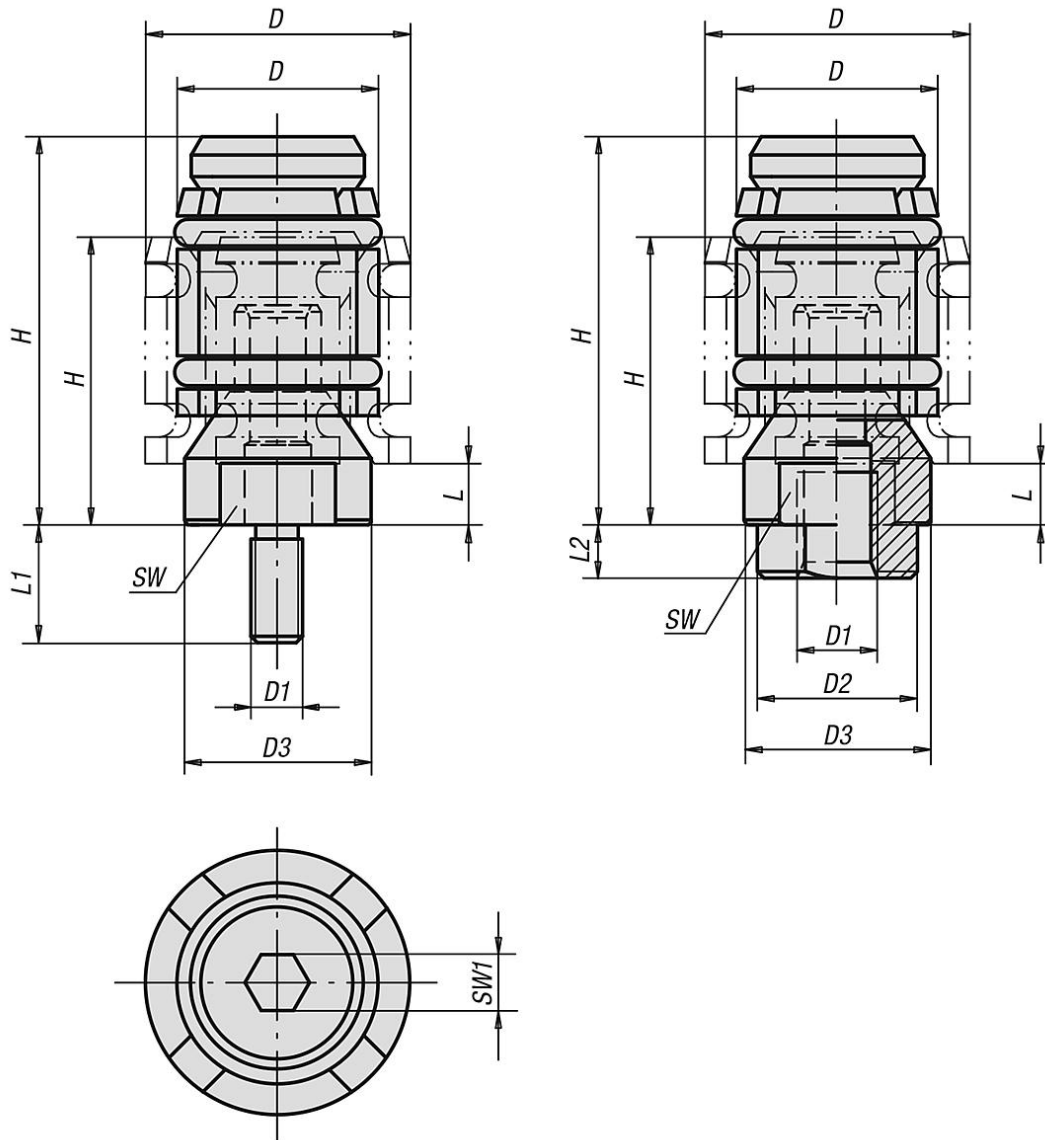
Black oxidised.

Note:

These centring clamps enable workpieces to be centred on and lightly clamped in a bore. The clamps have a wide expansion range. The series covers a bore range of $\text{Ø}12$ to $\text{Ø}30$ mm. To increase the centring accuracy the clamps with internal thread have a centring spigot (D2) for a locating hole. The centring accuracy is ± 0.2 mm. Centring clamps with internal threads fit on M6 grid systems (see illustration).

Centring clamps

Drawings



Overview of items

Centring clamps

Order No.	Thread type	D min.	D max.	D1	D2	D3	H min.	H max.	L min.	L1	L2	SW	SW1	Clamping force max. kN	Tightening torque max. Nm
K0893.0615	internal thread	12	15	M6	12	11,4	22	27,5	4,8	-	4	9	2,5	1,5	2,2
K0893.0619	internal thread	15	19	M6	12	14	24,5	32	4,8	-	4	12	4	2,5	6
K0893.0624	internal thread	19	24	M6	12	17,8	26	35	4,5	-	4	15	5	4	10
K0893.0630	internal thread	24	30	M6	12	23	32	44,5	7	-	4	19	5	4,5	10
K0893.061215	external thread	12	15	M6	-	11,4	22	27,5	4,8	12	-	9	2,5	1,5	2,2
K0893.061219	external thread	15	19	M6	-	14	24,5	32	4,8	12	-	12	4	2,5	6
K0893.081624	external thread	19	24	M8	-	17,8	26	35	4,5	16	-	15	5	4	10
K0893.081630	external thread	24	30	M8	-	23	32	44,5	7	16	-	19	5	4,5	10

