

Atlas jack with locknut

Item description/product images



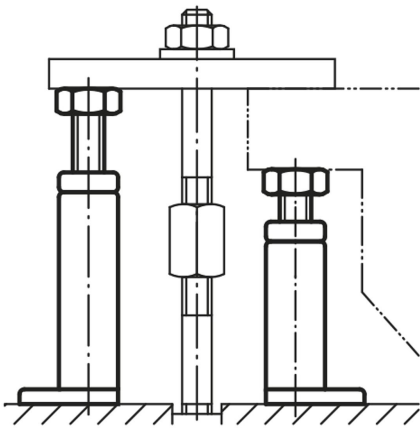
Description

Material:

Carbon steel.

Version:

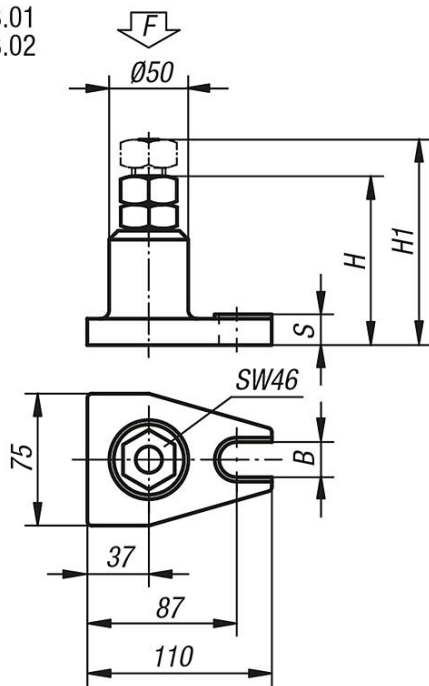
Hammertone, spindle with 30 x 6 trapezoidal thread.



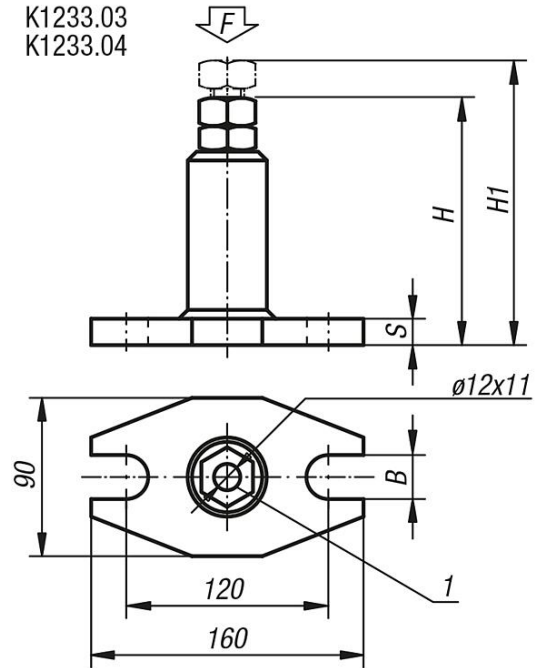
Atlas jack with locknut

Drawings

K1233.01
K1233.02



K1233.03
K1233.04



Overview of items

Atlas jack with locknut

Order No.	Adjustment range	base plate	H	H1	B	S	F kN
K1233.01	100 - 140	76x111	100	140	18	17	60
K1233.02	140 - 200	76x111	140	200	18	17	60
K1233.03	200 - 320	90x160	200	320	22	22	40
K1233.04	320 - 540	90x160	320	540	22	25	25