

Cam levers stainless steel, with internal thread, thrust washer stainless steel

Item description/product images



Description

Material:

Handle 1.4308 stainless steel.

Thrust washer 1.4034 stainless steel, hardened.

Hinge pin and stud 1.4305 stainless steel.

Version:

Handle electropolished or blasted.

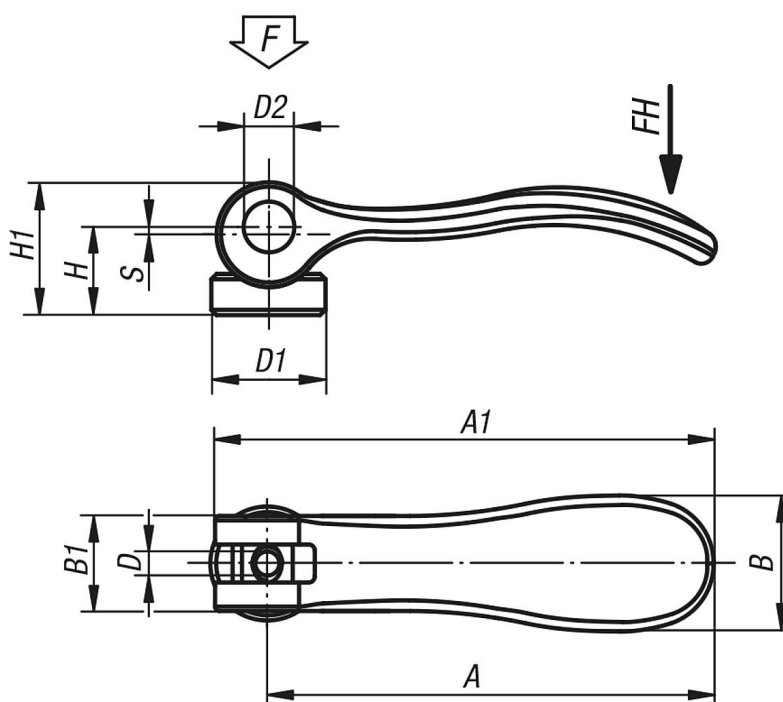
Thrust washer, hinge pin and screw bright.

Note:

The thrust washer face is lightly greased before delivery.

The grease is FDA conform and is suitable for use in the foodstuff and pharmaceutical industries.

Drawings



Overview of items

Order No.	Surface finish body	D	D1	D2	B	B1	H	H1	A	A1	Travel S	Clamping force F (kN)	Hand force FH N
K0645.9541003	electropolished	M3	12	6	14,4	11,5	9	13,5	36,2	41,7	1	1,5	90
K0645.9541004	electropolished	M4	12	6	14,4	11,5	9	13,5	36,2	41,7	1	1,5	90
K0645.0541004	electropolished	M4	15,4	8	18	13	11,4	17,2	52,3	59,1	1	2,5	100
K0645.0541005	electropolished	M5	15,4	8	18	13	11,4	17,2	52,3	59,1	1	2,5	100
K0645.1541005	electropolished	M5	18	9	21,5	15	14,7	22	70,4	79,2	1,2	4	120
K0645.1541006	electropolished	M6	18	9	21,5	15	14,7	22	70,4	79,2	1,2	4	120
K0645.2541008	electropolished	M8	27	11	33,3	24	18,3	28,8	96	108	1,5	8	350
K0645.9541303	blasted	M3	12	6	14,4	11,5	9	13,5	36,2	41,7	1	1,5	90
K0645.9541304	blasted	M4	12	6	14,4	11,5	9	13,5	36,2	41,7	1	1,5	90
K0645.0541304	blasted	M4	15,4	8	18	13	11,4	17,2	52,3	59,1	1	2,5	100

Cam levers stainless steel, with internal thread, thrust washer stainless steel

Overview of items

Order No.	Surface finish body	D	D1	D2	B	B1	H	H1	A	A1	Travel S	Clamping force F (kN)	Hand force FH N
K0645.0541305	blasted	M5	15,4	8	18	13	11,4	17,2	52,3	59,1	1	2,5	100
K0645.1541305	blasted	M5	18	9	21,5	15	14,7	22	70,4	79,2	1,2	4	120
K0645.1541306	blasted	M6	18	9	21,5	15	14,7	22	70,4	79,2	1,2	4	120
K0645.2541308	blasted	M8	27	11	33,3	24	18,3	28,8	96	108	1,5	8	350