

Locating cylinders pneumatic, Form A

Item description/product images



Description

Material:

Carbon steel.

Version:

nickel-plated.

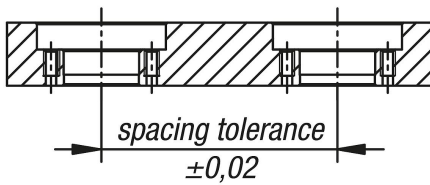
Note:

The 3 clamping balls are pneumatically released.

The 3 clamping balls retract and the fixture can be exchanged. If the air is stopped, the 3 clamping balls advance and the fixture is clamped.

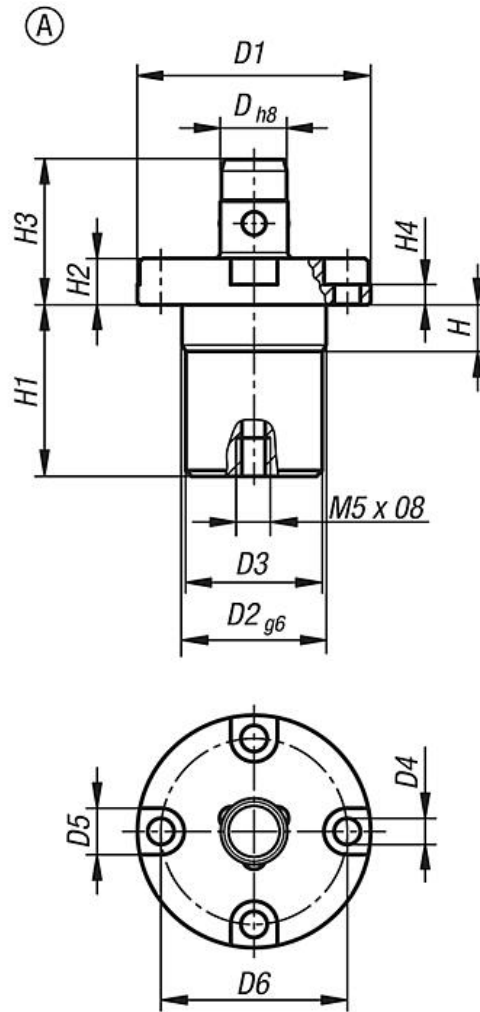
This easy-to-operate system significantly reduces the changeover times.

A

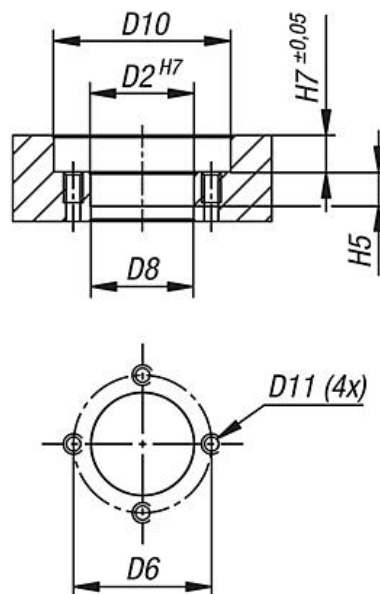


Locating cylinders pneumatic, Form A

Drawings



mounting instructions:



Locating cylinders pneumatic, Form A

Overview of items

Order No.	Form	D	D1	D2	D3	D4	D5	D6	D8	D10	D11	H	H2	H1	H3	H4	H5	H7	Retaining force F1 N
K1219.112	A	12	40	24	23,4	4,5	8	32	23,8	41	M4	8	8	29,5	25	3,5	8,5	8,5	250
K1219.116	A	16	51	32	31,4	5,5	9,5	41	31,8	52	M5	8,5	9,5	31,7	28,5	4	9	10	350