

Eccentric clamp module Form E

Item description/product images



Description

Material:

Body steel.
Cam levers cast aluminium.

Version:

Body black oxidised.
T-nut electro zinc-plated.
Cam levers black powder coated.

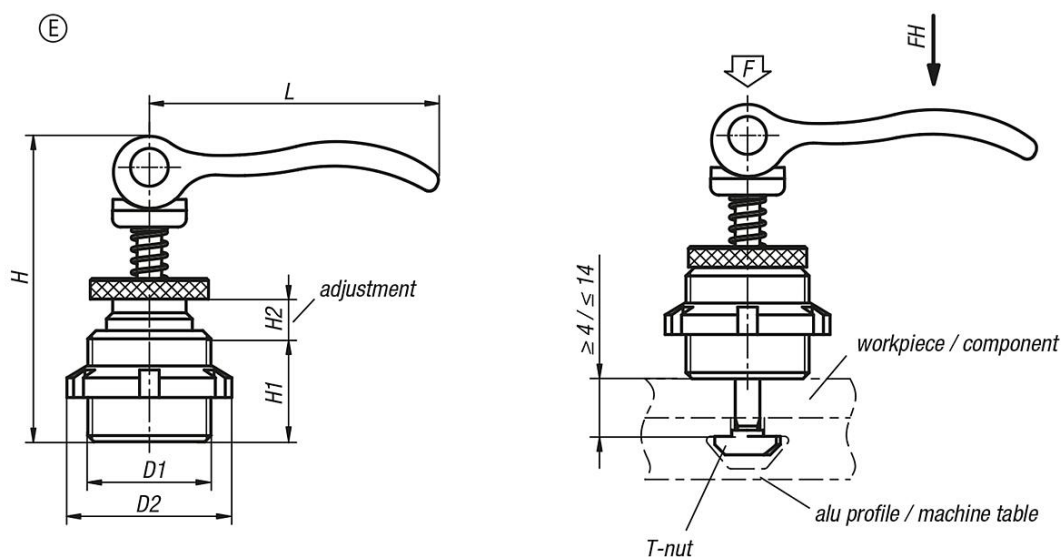
Note:

The clamp module is inserted into the T-slot from above and secured using the cam lever, no other tools required.

Advantages:

The eccentric clamp modules can be used on conventional aluminium profile systems or on T-slot tables as stops, fasteners or clamps for components and workpieces.

Drawings



Overview of items

| Order No. | Form | D1 | D2 | H | H1 | H2 | L | suitable for slot width | Clamping force F (kN) | Hand force FH N |
|----------------|------|-------|----|----|----|----|----|-------------------------|-----------------------|-----------------|
| K0754.41150706 | E | M15X1 | 25 | 39 | 14 | 7 | 35 | 6 | 1,5 | 90 |
| K0754.41200908 | E | M20X1 | 32 | 50 | 18 | 9 | 52 | 8 | 2,5 | 100 |