

Spring hinges aluminium profile, 1.3 Nm, spring open

Item description/product images



Description

Material:

Aluminium 6060 T5.
End caps PA 6.6.
Washers POM.

Version:

Black anodised.
Colourless anodised.

Note:

These hinges have steel tension springs which enables doors and hatches to open or close automatically.
Opening angle 180°.

Spring torque:

$M(0^\circ)$: 1.3 Nm / $M(90^\circ)$: 1.1 Nm / $M(180^\circ)$: 0.9 Nm

These hinges have a more than 10,000 cycle service life.

Fastened using DIN 912/EN ISO 4762 socket head screws.

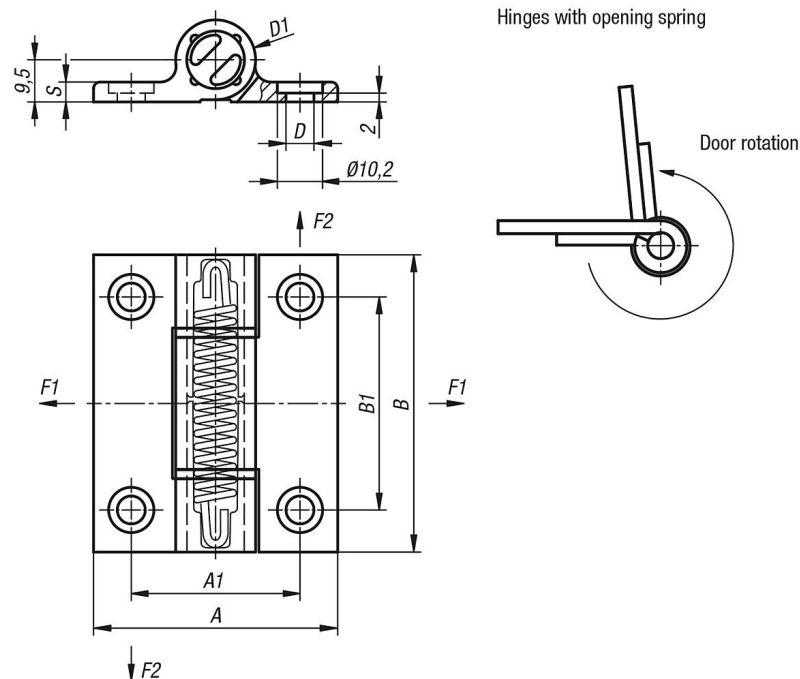
Temperature range:

From -20°C to +80°C

Accessory:

Socket head screws with hexagon socket DIN 912/EN ISO 4762.

Drawings



Spring hinges aluminium profile, 1.3 Nm, spring open

Overview of items

Order No.	Main colour	Surface finish body	A	A1	B	B1	D	D1	S	F1 N	F2 N
K1181.556701	black	anodised	55	38	67	48	6,3	18	4,5	5000	4200
K1181.55670	colourless	anodised	55	38	67	48	6,3	18	4,5	5000	4200