

Bullseye levels in frame to screw on, Form B with flange

Item description/product images



Description

Material:

Frame brass.

Bullseye level body polyamide.

Version:

Nickel-plated and high-gloss polished.

Note:

Bubble levels are used as a type of zero indicator instrument for checking horizontal inclination in e.g. spirit levels, inclinometers, metrology instruments and machine constructions.

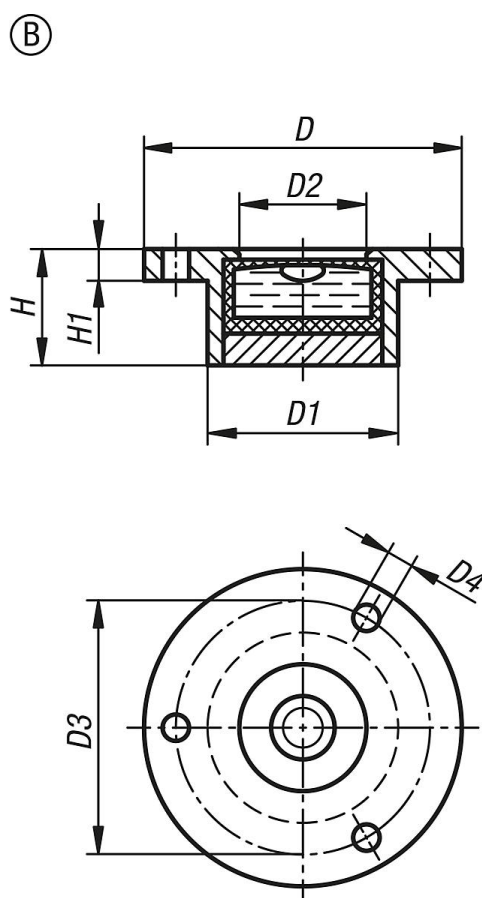
These bullseye levels can be recessed and fastened using the three holes.

- Calibrated to the underside of the flange
- Sensitivity in angular minutes for 2 mm bubble travel
- Clear filling
- Black contrast ring
- White level base

Temperature range:

-35 °C up to +55 °C.

Drawings



Bullseye levels in frame to screw on, Form B with flange**Overview of items**

Order No.	Form	D	D1	D2	D3	D4	H	H1	Sensitivity
K1154.2141030	B	20	14	10	17	1,6	10	1,8	30'
K1154.2171030	B	25	17	12	21	2	10	2	30'
K1154.2181130	B	30	18	12	24	2,5	11	3	30'
K1154.2281430	B	40	28	20	34,5	2,5	14	4	30'
K1154.2341530	B	50	34	25	43	3	15	5	30'