

Knurled screws low head steel and stainless steel, DIN 653

Item description/product images



Description

Material:

Steel or stainless steel (A 1).

Version:

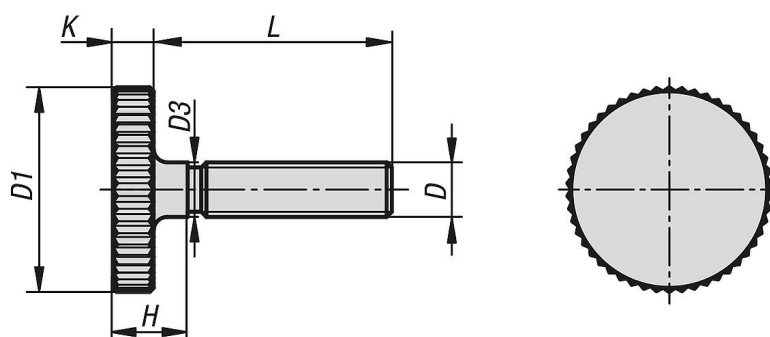
Steel grade 5.8, bright;

Stainless steel, bright.

Note:

Delivery is according to DIN 653 or DIN 653-A.

Drawings



Overview of items

Knurled screws low head, steel and stainless steel, DIN 653

Order No.	Main material	D	D1	D3	H	K	L
K1163.03X10	steel	M3	12	3	4,5	2,5	10
K1163.03X12	steel	M3	12	3	4,5	2,5	12
K1163.03X16	steel	M3	12	3	4,5	2,5	16
K1163.04X8	steel	M4	16	4	6,5	3,5	8
K1163.04X10	steel	M4	16	4	6,5	3,5	10
K1163.04X12	steel	M4	16	4	6,5	3,5	12
K1163.04X16	steel	M4	16	4	6,5	3,5	16
K1163.04X20	steel	M4	16	4	6,5	3,5	20
K1163.05X10	steel	M5	20	5	7	4	10
K1163.05X12	steel	M5	20	5	7	4	12
K1163.05X16	steel	M5	20	5	7	4	16
K1163.05X20	steel	M5	20	5	7	4	20
K1163.05X25	steel	M5	20	5	7	4	25
K1163.05X30	steel	M5	20	5	7	4	30
K1163.06X12	steel	M6	24	6	9	5	12
K1163.06X16	steel	M6	24	6	9	5	16
K1163.06X20	steel	M6	24	6	9	5	20
K1163.06X25	steel	M6	24	6	9	5	25
K1163.06X30	steel	M6	24	6	9	5	30
K1163.06X35	steel	M6	24	6	9	5	35
K1163.06X40	steel	M6	24	6	9	5	40
K1163.08X16	steel	M8	30	8	11	6	16
K1163.08X20	steel	M8	30	8	11	6	20
K1163.08X25	steel	M8	30	8	11	6	25
K1163.08X30	steel	M8	30	8	11	6	30

Knurled screws low head steel and stainless steel, DIN 653

Overview of items

Order No.	Main material	D	D1	D3	H	K	L
K1163.08X35	steel	M8	30	8	11	6	35
K1163.08X40	steel	M8	30	8	11	6	40
K1163.10X20	steel	M10	36	10	14	8	20
K1163.10X25	steel	M10	36	10	14	8	25
K1163.10X30	steel	M10	36	10	14	8	30
K1163.10X35	steel	M10	36	10	14	8	35
K1163.10X40	steel	M10	36	10	14	8	40
K1163.032X10	stainless steel	M3	12	3	4,5	2,5	10
K1163.032X12	stainless steel	M3	12	3	4,5	2,5	12
K1163.032X16	stainless steel	M3	12	3	4,5	2,5	16
K1163.042X8	stainless steel	M4	16	4	6,5	3,5	8
K1163.042X10	stainless steel	M4	16	4	6,5	3,5	10
K1163.042X12	stainless steel	M4	16	4	6,5	3,5	12
K1163.042X16	stainless steel	M4	16	4	6,5	3,5	16
K1163.042X20	stainless steel	M4	16	4	6,5	3,5	20
K1163.052X10	stainless steel	M5	20	5	7	4	10
K1163.052X12	stainless steel	M5	20	5	7	4	12
K1163.052X16	stainless steel	M5	20	5	7	4	16
K1163.052X20	stainless steel	M5	20	5	7	4	20
K1163.052X25	stainless steel	M5	20	5	7	4	25
K1163.052X30	stainless steel	M5	20	5	7	4	30
K1163.062X12	stainless steel	M6	24	6	9	5	12
K1163.062X16	stainless steel	M6	24	6	9	5	16
K1163.062X20	stainless steel	M6	24	6	9	5	20
K1163.062X25	stainless steel	M6	24	6	9	5	25
K1163.062X30	stainless steel	M6	24	6	9	5	30
K1163.062X35	stainless steel	M6	24	6	9	5	35
K1163.062X40	stainless steel	M6	24	6	9	5	40
K1163.082X16	stainless steel	M8	30	8	11	6	16
K1163.082X20	stainless steel	M8	30	8	11	6	20
K1163.082X25	stainless steel	M8	30	8	11	6	25
K1163.082X30	stainless steel	M8	30	8	11	6	30
K1163.102X20	stainless steel	M10	36	10	14	8	20
K1163.102X25	stainless steel	M10	36	10	14	8	25
K1163.102X30	stainless steel	M10	36	10	14	8	30
K1163.102X40	stainless steel	M10	36	10	14	8	40