

Knurled knobs for hex head screws

Item description/product images



Description

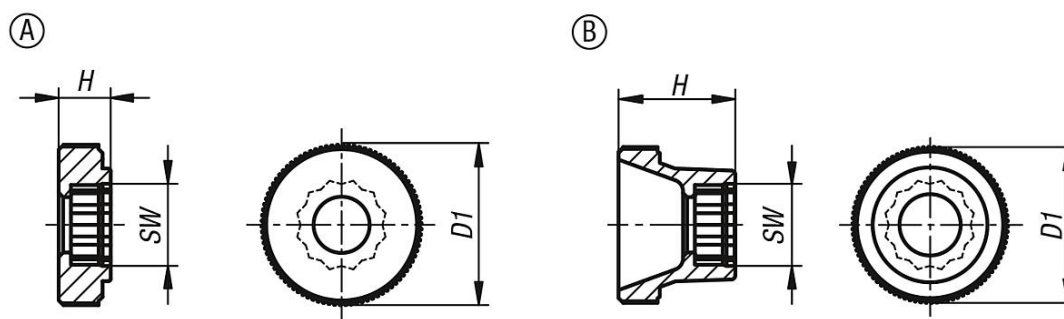
Material:
Thermoplastic.

Version:
Black or orange.

Note:
Suitable screws ISO 4014.

Δ add the desired colour code here

Drawings



Overview of items

Knurled knobs for screws with external hex

Order No.	Form	Main colour	for screws	D1	H	SW
K1138.00040	A	black	M4	17	5,5	7
K1138.00050	A	black	M5	20	6,5	8
K1138.00060	A	black	M6	25	8	10
K1138.00080	A	black	M8	36	10	13
K1138.00100	A	black	M10	36	10	17
K1138.01040	A	orange	M4	17	5,5	7
K1138.01050	A	orange	M5	20	6,5	8
K1138.01060	A	orange	M6	25	8	10
K1138.01080	A	orange	M8	36	10	13
K1138.01100	A	orange	M10	36	10	17
K1138.10040	B	black	M4	17	11,5	7
K1138.10050	B	black	M5	20	15	8
K1138.10060	B	black	M6	25	18	10
K1138.10080	B	black	M8	36	23	13
K1138.10100	B	black	M10	36	23	17
K1138.11040	B	orange	M4	17	11,5	7
K1138.11050	B	orange	M5	20	15	8
K1138.11060	B	orange	M6	25	18	10
K1138.11080	B	orange	M8	36	23	13
K1138.11100	B	orange	M10	36	23	17

