

Self-aligning pads, Form H, press fit, flattened ball, with POM insert

Item description/product images



Description

Material:

Body carbon steel,
ball ball-bearing steel 1.2067,
inserts POM.

Version:

Body tempered and phosphated.
Ball hardened.

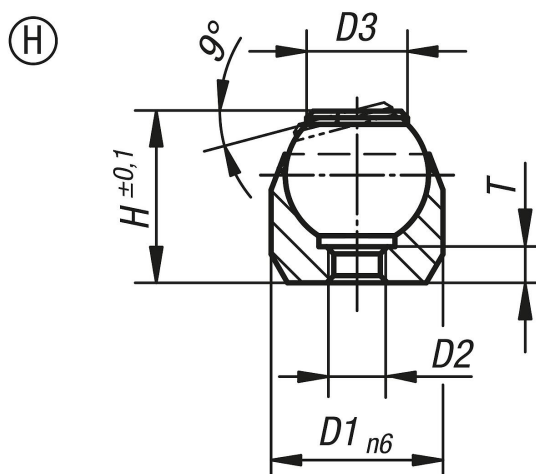
Note:

Self-aligning pads serve as stops, supports and thrust pads in fixture constructions.

Ball secured against rotation.

* Valid only if the minimum bore depth is observed.

Drawings



Overview of items

Order No.	Form	D1	D2	D3	H	T	Ball-Ø	Receiving hole	Load rating max. kN (static load only)
K0282.503	H	12	M3	7,9	11	3	10	Ø 12 H7X6 min.	10*
K0282.504	H	18	M4	12,7	17	4	16	Ø 18 H7X8 min.	25*
K0282.505	H	28	M5	19,05	25	6	25	Ø 28 H7X13 min.	90*