

Positioning feet with external thread and carbide diamond grip, Form K

Item description/product images



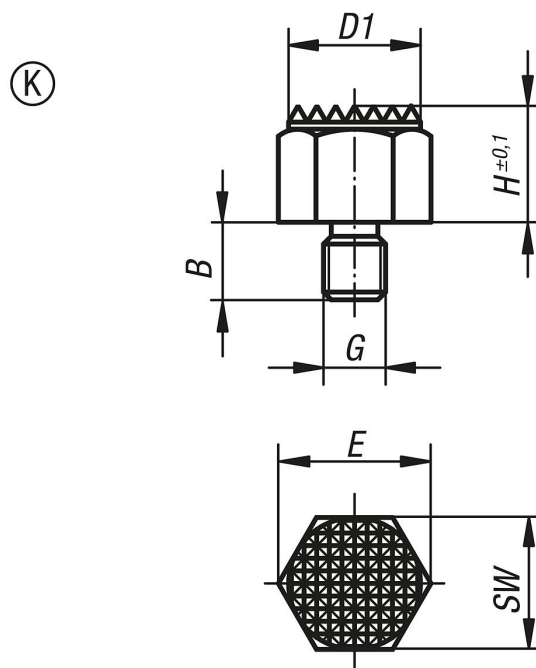
Description

Material:
Steel.

Version:
Case-hardened and black oxidised.

Note:
Positioning feet are used as supports, stops and thrust pads for fixtures and general machine and appliance construction.

Drawings



Overview of items

Order No.	Form	B	D1	G	H	E	SW	Tightening torque max. Nm
K0298.7101	K	10	17	M8	10	19,4	17	18
K0298.710	K	14	22	M12	10	25,2	22	60
K0298.715	K	14	22	M12	15	25,2	22	60
K0298.7151	K	19	30	M16	15	33	30	140
K0298.7201	K	19	30	M16	20	33	30	140

