

Quarter-turn locks lockable, stainless steel

Item description/product images



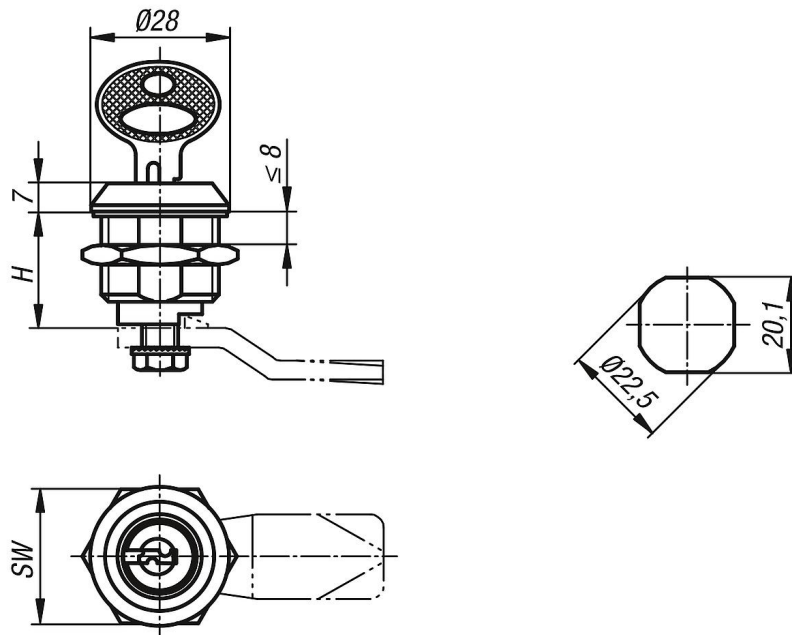
Description

**Material:**  
Stainless steel 1.4401.

**Version:**  
Bright.



Drawings



Overview of items

Order No.	Actuation	H	SW
K1107.186	key single-key system	18	27