

5 Axis Clamping System



Trend-setting clamping concept for 5-sided machining

The 5-axis clamping system complements modern milling centres to produce an unbeatable overall concept.

Many products are becoming more complicated than ever, and also have to be produced in an extremely short time and with maximum precision. To satisfy these criteria workpieces must more often be completely machined in one set-up. Modern manufacturing technology adopted by machine tool manufacturers is the development of 5-axis machining. Complete machining of workpieces on 5-axis centres transfers the entire high precision to the workpiece.

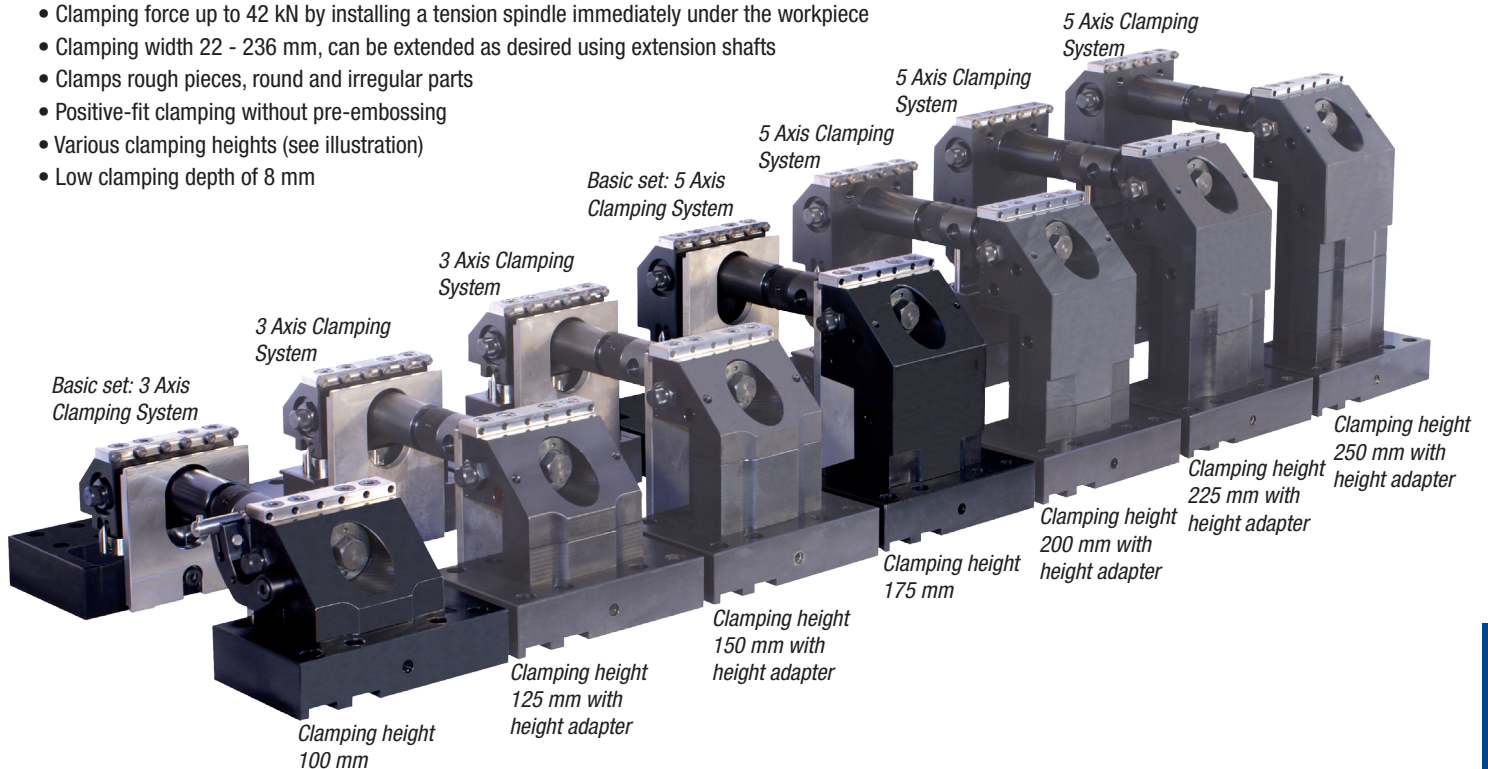
Due the greater configuration options for workpieces provided by 5-axis machining, a high-performance clamping system is an essential precondition for the efficient use of these machines. Among other things, an optimised clamping system helps guarantee that the machine's complex travel can produce a high-precision workpiece.

The 5-axis clamping systems allow machining free of interfering edges and vibration, with extremely high cutting and feed forces. They enable the application of extremely short tools in order to guarantee the required tolerances and surfaces.



5 Axis clamping system for trouble-free 5-sided machining in a single clamping

- Can be set up on grid hole plates, on T-slot plates and on your own fixtures
- Clamping force up to 42 kN by installing a tension spindle immediately under the workpiece
- Clamping width 22 - 236 mm, can be extended as desired using extension shafts
- Clamps rough pieces, round and irregular parts
- Positive-fit clamping without pre-embossing
- Various clamping heights (see illustration)
- Low clamping depth of 8 mm



5 Axis Clamping System



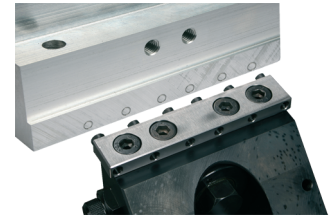
Special technical features - clamping process



before clamping

The clamping process involves the penetration of hardened, exchangeable clamping pins in to the workpiece. This guarantees positive-fit clamping without pre-embossing. Optionally, flattened clamping pins are available for clamping workpieces with sensitive surfaces. Additional flexible applications are possible using accessories, including clamping jaws for specific clamping tasks and round clamping elements for clamping round parts.

The 5 axis clamping systems provides you with a universal clamping element that is able to clamp workpieces with a clamping width of 22 - 236 mm. The clamping width can be extended as desired through the use of extension shafts.

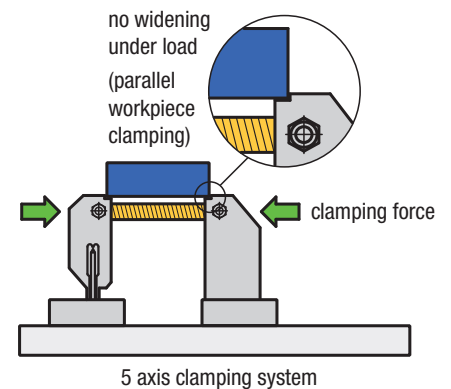
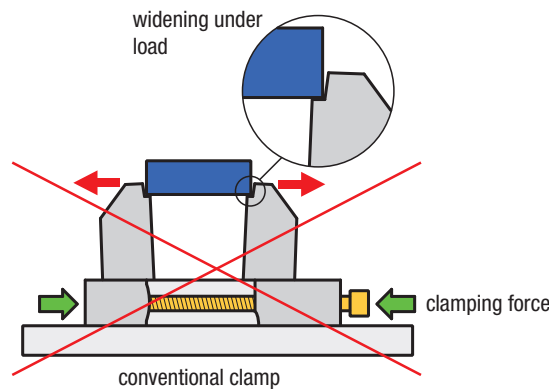


after clamping

High clamping forces up to 42 kN that are not lost due to bending

By installing a tension spindle directly under the workpiece support the clamping force is generated where it is required.

- no widening the jaws under load
- no distortion of the machine table
- extreme rigidity allows highest cutting forces



5 Axis Clamping System - system structure

pos.	description	pcs.
1	fixed jaws	1
2	moveable jaws	1
3	base plate for fixed jaws	1
4	base plate for movable jaws	1
5	clamping jaw, standard, with socket head screw (5.1)	2
6	clamping pin	12
7	threaded spindle (7) with tension housing (7.1)	1
8	spindle nut	1
9	extension shaft (9) with union nut (9.1)	1
10	fastening screw	4
11	support guide	2
12	socket head screw DIN 6912M 8x12	2
13	pointer	1
14	grub screw DIN 913 M8x8	1
15	socket head screw DIN 912 M12x20	2
16	socket head screw DIN 912 M12x40	3
17	cylindrical pin DIN 7979 8x20	2

