

## Base plates for sliding clamp for square bars

### Item description/product images



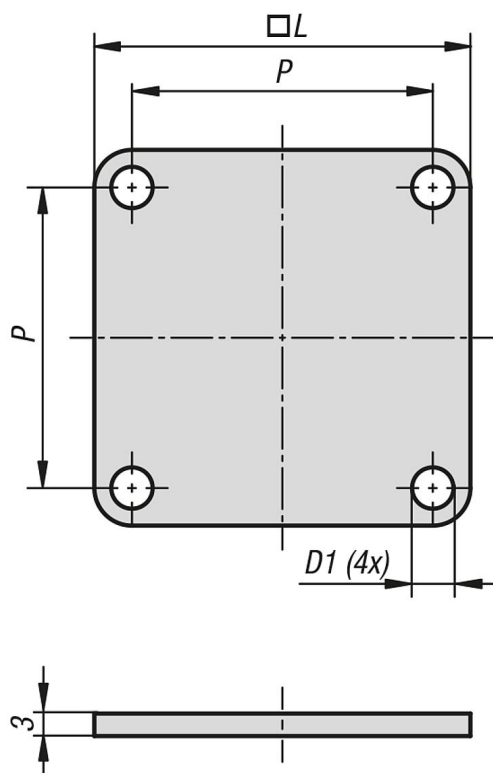
### Description

**Material:**  
Stainless steel

**Version:**  
Bright.

**Note:**  
Base plates raise the sliding clamp by 3 mm.  
It is used to mount the sliding clamp to a fixated square bar.

### Drawings



### Overview of items

Order No.	L	D1	P
K1073.40	40	4,5	32
K1073.50	50	5,5	40