

Modular structure of a swivel foot

Application:

Swivel feet are built up in modular fashion. The components can be combined individually to match the application. The swivel feet are therefore used for a wide range of machines and installations, including office furniture.

Modular structure:

The swivel feet consist of two components - a plate and a threaded spindle. Any plate can be combined with any threaded spindle (see figure 1).

Swivel feet height:

Regardless of the plate or threaded spindle size, swivel feet always have a minimum height of $H = 30 \text{ mm}$ (see Fig. 2). The height of the complete swivel foot is calculated from the length of the threaded spindle + 30 mm. (Total height of swivel foot = $L + 30 \text{ mm}$).

Figure 1

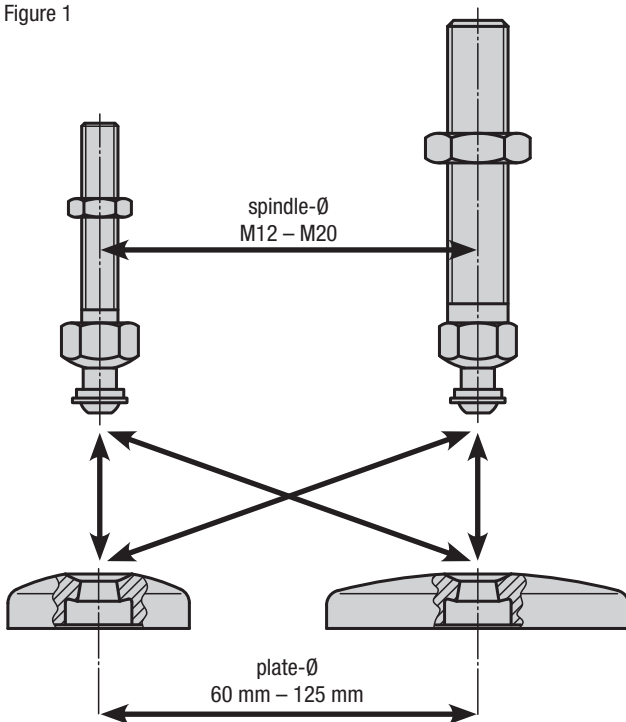
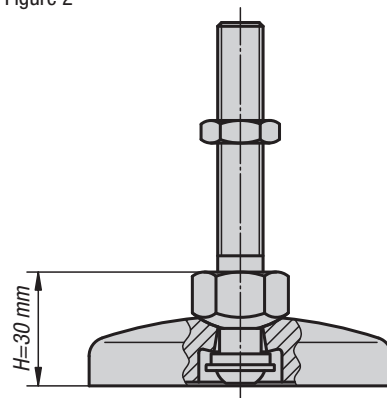
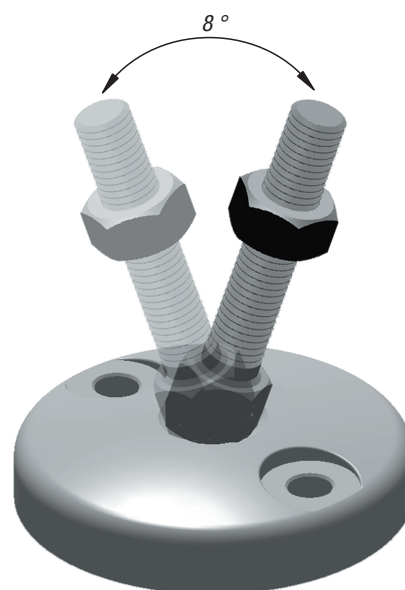


Figure 2



Inclination angle of threaded spindle:



Assembly:

Insert the threaded spindle vertically into the swivel foot plate and fasten it from the bottom of the swivel foot plate with a spacer ring, washer and bolt (thus unintentional release of threaded spindle from plate is not possible). If necessary, the two fastening holes (closed) in the swivel foot plate can be opened by simply punching them out to allow the swivel foot to be mounted to the ground.

Note for ordering:

If the swivel foot plate and the threaded spindle are to be supplied assembled, please add the suffix „**assembled**“ to the order number for the plate and spindle (see sample order on the relevant product page).