

Modular structure of an ECO levelling foot

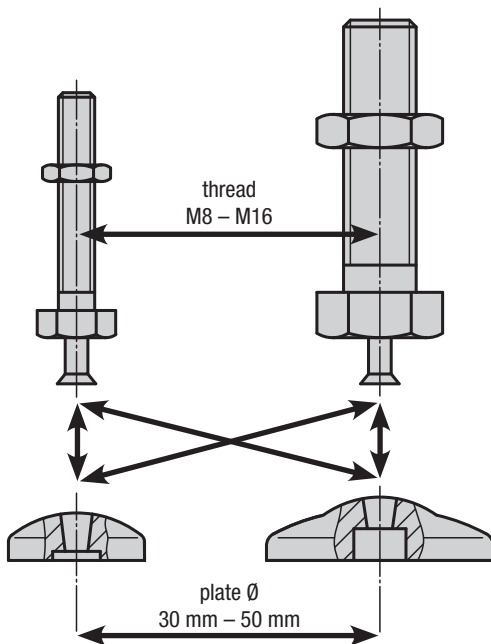
Application:

ECO levelling feet are of modular design. The components can be individually combined to match the application. However, the threaded spindle is not screwed but pressed in permanently. The levelling feet are used for a wide range of machines, plants and even office furniture.

Modular design:

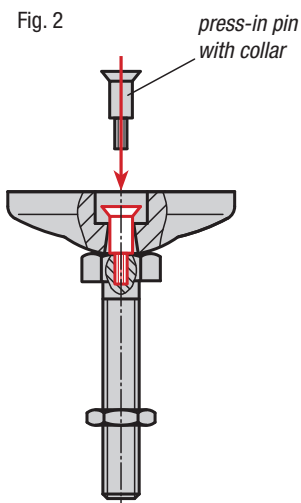
The levelling feet consist of two components - a plate and a threaded spindle. **Any** plate can be combined with **any** threaded spindle (see Fig. 1).

Fig. 1

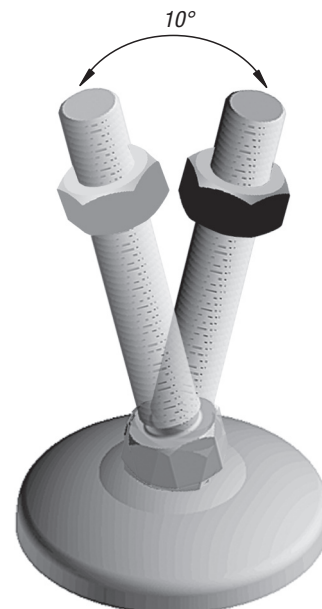


Assembly:

Place levelling foot plate on threaded spindle and press pin in up to collar (threaded spindle cannot be inadvertently removed from plate).



Inclination angle of threaded spindle:



Note for ordering:

If the levelling foot plate and the threaded spindle are to be supplied assembled, please add the suffix **“assembled”** to the order number for the plate and spindle (see sample order on the relevant product page).