

Side clamps with rest pad

Item description/product images



Description

Material:

Housing and arm carbon steel.

Jaw tool steel.

Version:

Housing tempered and black oxidised.

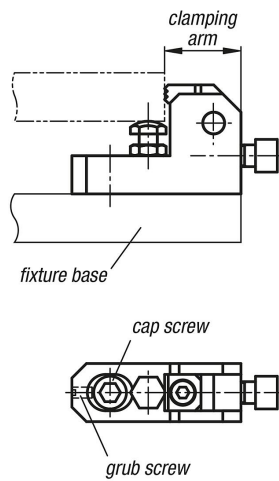
Arm black oxidised.

Jaw tempered and black oxidised.

Drawing reference:

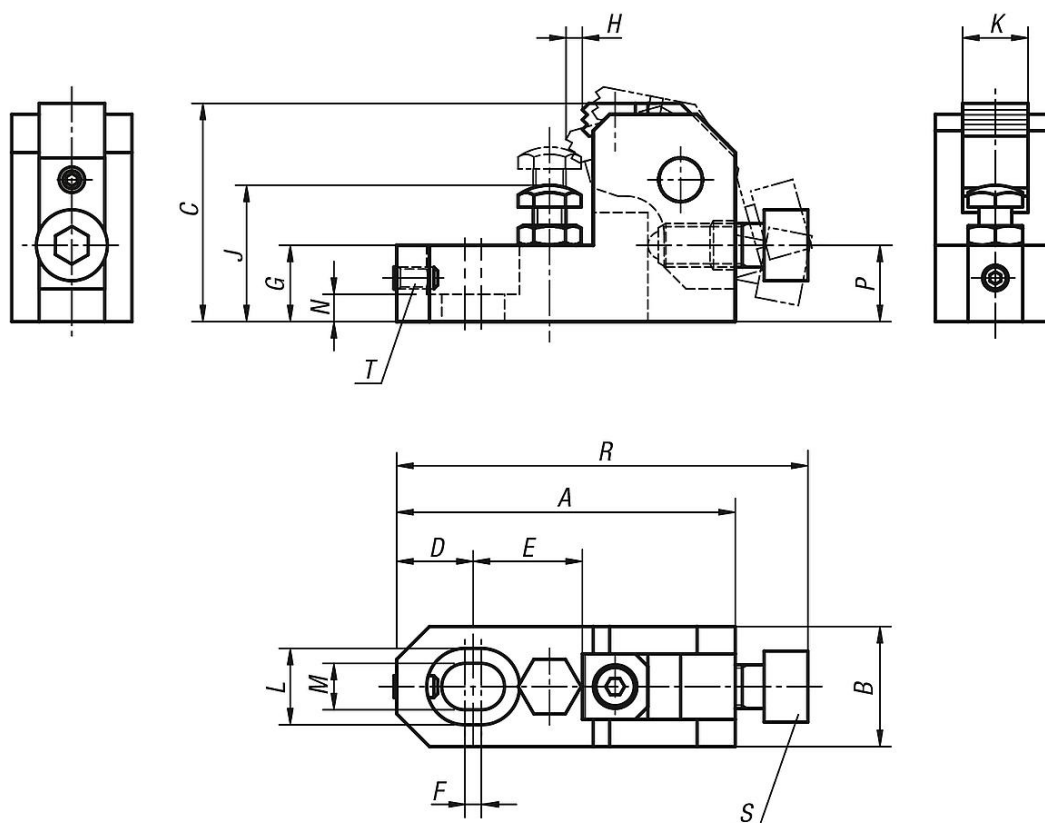
T) grub screw

S) ball pressure screw



Side clamps with rest pad

Drawings



Overview of items

Side clamps with rest pad

Order No.	A	B	C	D	E	F	G	H	J	K	L	M	N	P	R	S	T	F=Retaining force N	Tightening torque Nm
K0931.02508	62	22	40	14	20	3	14	3	25-32	12	14	8,5	5	14	75,5	M8x20	M4x8	6000	15
K0931.03210	78	25	50	18	25	4	18	3,7	32-40	16	17,5	11	7	17,5	95	M10x25	M5x10	10000	30
K0931.04012	93	32	60	21	30	5	21	4,5	40-48	20	20	13	8	21	113	M12x30	M6x12	17000	65
K0931.04816	124	38	80	28	40	6	27	6	48-63	25	26	17	10	28	151	M16x40	M8x16	25000	130