

Rubber buffers steel type CT tapered with internal thread both sides

Item description/product images



Description

Material:

Metal parts, steel, grade 5.6.

Elastomer natural rubber, medium hardness, Shore 57A.

Version:

Steel electro zinc-plated.

Note:

The rubber buffers are widely-used construction elements for elastic mounting. They are used, among other things, as mountings for aggregates, motors, compressors, pumps and testing machinery.

Rubber buffers with a waisted contour reduce high edge loads on the rubber by radial deflection and so increase the components service life.

Due to the material composition, rubber buffers are contact-colouring, which can lead to abrasion marks and discolouration on e.g. floors or contact surfaces.

Rubber buffers made of light grey EPDM that are not contact-colouring are available on request.

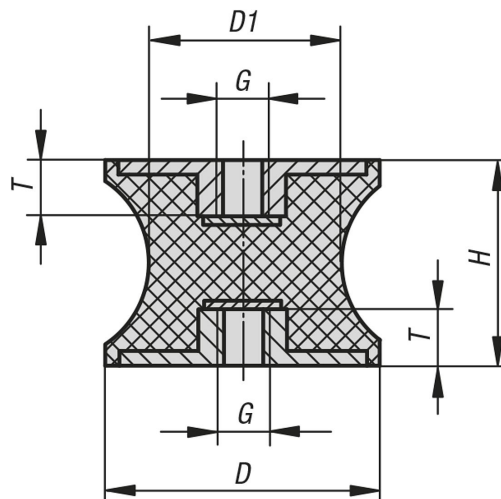
Temperature range:

-30 °C to +80 °C

On request:

Other Shore grades.

Drawings



Overview of items

Rubber buffers type CT tapered

| Order No. | D | D1 | H | G | T | Spring stiffness N/mm | Load N |
|----------------|----|----|----|----|---|--------------------------|-----------|
| K0570.01501557 | 15 | 12 | 15 | M4 | 4 | 111 | 122 |
| K0570.02001557 | 20 | 14 | 15 | M6 | 6 | 227 | 227 |
| K0570.03002057 | 30 | 22 | 20 | M8 | 8 | 252 | 504 |
| K0570.04003057 | 40 | 33 | 30 | M8 | 8 | 199 | 796 |

Rubber buffers steel type CT tapered with internal thread both sides

Overview of items

| Order No. | D | D1 | H | G | T | Spring stiffness N/mm | Load N |
|----------------|----|----|----|-----|----|--------------------------|-----------|
| K0570.04004857 | 40 | 20 | 48 | M8 | 8 | 111 | 555 |
| K0570.05003057 | 50 | 40 | 30 | M10 | 10 | 499 | 998 |
| K0570.07504057 | 75 | 50 | 40 | M12 | 12 | 597 | 2030 |