

## Gripper studs, Form C

### Item description/product images



### Description

**Material:**

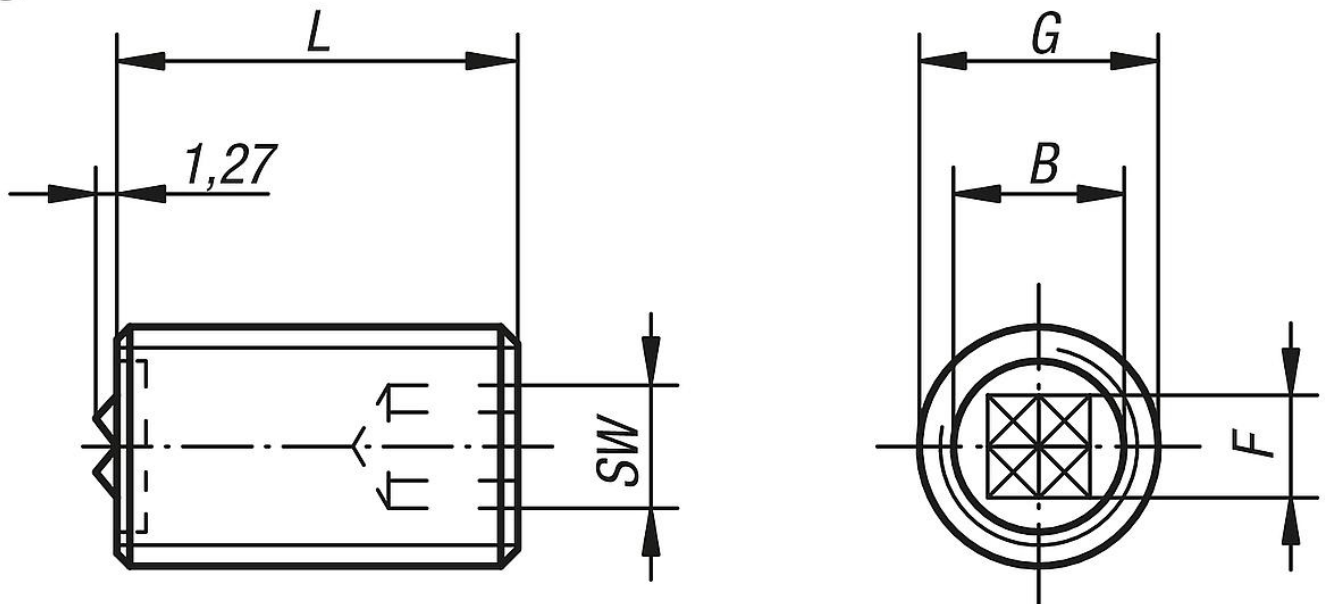
Hardened tool steel or carbide.

**Note:**

The full thread on the grippers allows exact adjustment to the clamping application. The carbide tips are soldered in.

### Drawings

Ⓒ



### Overview of items

Order No.	Form	L	B	G	F	SW
K0388.25124	C	25	7,9	M12	6,5	6
K0388.50124	C	50	7,9	M12	6,5	6

## Gripper studs, Form C

### Overview of items

Order No.	Form	L	B	G	F	SW
K0388.25164	C	25	11,2	M16	8	8
K0388.50164	C	50	11,2	M16	8	8
K0388.25204	C	25	12,7	M20	8	10
K0388.50204	C	50	12,7	M20	8	10