

Centring clamp with hexagonal segments, Form B

Item description/product images



Description

Material:

Body 1.2842.

Ball and hex segments 1.4112.

Tension spring 1.4310.

Version:

Body hardened and black oxidised.

Ball and hex segments hardened and ground.

Note:

Form B: with hexagon for surface-sensitive holes.

Technical data:

Repetitive accuracy ± 0.025

Concentric accuracy ± 0.05

Application:

To position and centre existing bores on the machining surface.

Advantages:

- Precise self-centring.
- Distortion free clamping.
- Large spread range.
- Low overall height.

Drawing reference:

Form A:

With balls for holes where light marking is acceptable.

Form B:

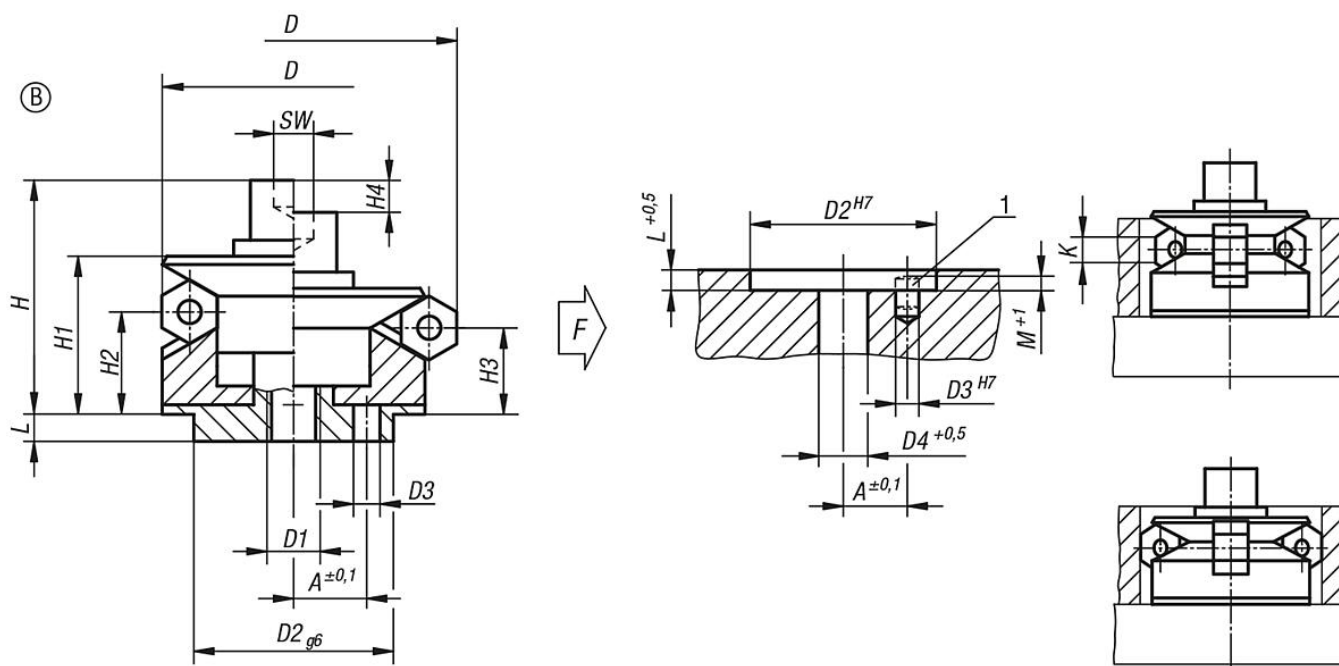
With hexagons for sensitive hole surfaces.

1) Mounting aid:

pin to accurately position the mandrel segments.

Centring clamp with hexagonal segments, Form B

Drawings



Overview of items

Centring tension jack with and without protection

Order No.	Form	A	D min.	D max.	D1	D2	D3	D4	H	H1	H2	H3	H4	L	M	K	SW	No. of hex	Clamping force max. kN	Tightening torque max. Nm
K0358.201504	B	4,5	14,5	18,5	M4	12	2	4,3	19,5	14,5	9,8	8,6	2,3	5,5	3	4	3	3	3,5	5
K0358.201905	B	5,5	18,5	22,5	M5	15	2,5	5,3	23,5	16,5	11,6	10,4	2,3	7,5	3	4	4	3	4	10
K0358.202306	B	7	22,5	26,5	M6	20	3	6,4	28,8	19,8	14,2	13	2,3	6	4	4	5	3	4,5	17
K0358.202706	B	7	26,5	30,5	M6	20	3	6,4	28,8	19,8	14,2	13	2,3	6	4,5	4	5	3	4,5	17
K0358.203106	B	9	30,5	38,5	M6	25	4	6,4	32,7	23,1	14,2	11,9	4,6	7	4,5	8	5	3	4,5	17
K0358.203908	B	11	38,5	46,5	M8	30	4	8,4	39,2	27,2	17,8	15,5	4,6	7,5	4,5	8	6	6	6,5	43
K0358.204708	B	11	46,5	54,5	M8	30	4	8,4	39,2	27,2	18	15,7	4,6	7,5	4,5	8	6	6	6,5	43
K0358.205510	B	15	54,5	70,5	M10	45	5	10,5	54,6	40,6	23,7	19,1	9,3	9	5,5	16	8	6	8	79
K0358.207112	B	17	70,5	86,5	M12	60	5	13	63,1	46,1	28,3	23,7	9,3	10	5,5	16	10	6	10	141
K0358.208712	B	25	86,5	102,5	M16	60	5	17	73	51	30,2	25,7	9,3	10	5,5	16	14	6	12,5	354