

Self-aligning pads, swivel angle 12°, Form F, with external thread, flattened ball, serrated face

Item description/product images



Description

Material:

Body carbon steel.

Ball, ball-bearing steel 1.3505.

Version:

Body tempered.

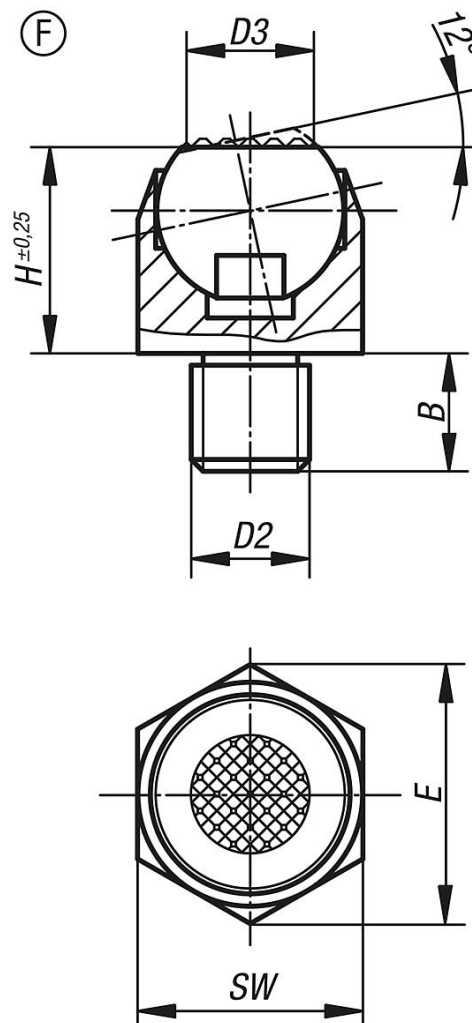
Ball hardened (50 - 55 HRC).

Note:

Self-aligning pads serve as stops, supports and thrust pads in fixture construction. They can also be installed in existing clamping devices, e.g. arness clamps.

Ball is secured against rotation.

Drawings



Self-aligning pads, swivel angle 12°, Form F, with external thread, flattened ball, serrated face

Overview of items

Order No.	Form	B	D2	D3	H	E	SW	Ball-Ø	Load rating max. kN (static load only)
K0302.306	F	7	M6	6,7	13	14,5	13	10	10
K0302.308	F	8	M8	6,7	13	14,5	13	10	10
K0302.310	F	10	M10	10	18	21,9	19	16	25
K0302.312	F	12	M12	10	18	21,9	19	16	25
K0302.316	F	16	M16	20	27	33	30	24	90
K0302.320	F	20	M20	20	27	33	30	24	90