

Positioning feet, Form A hardened flat face

Item description/product images



Description

Material:

Body high carbon steel.

Version:

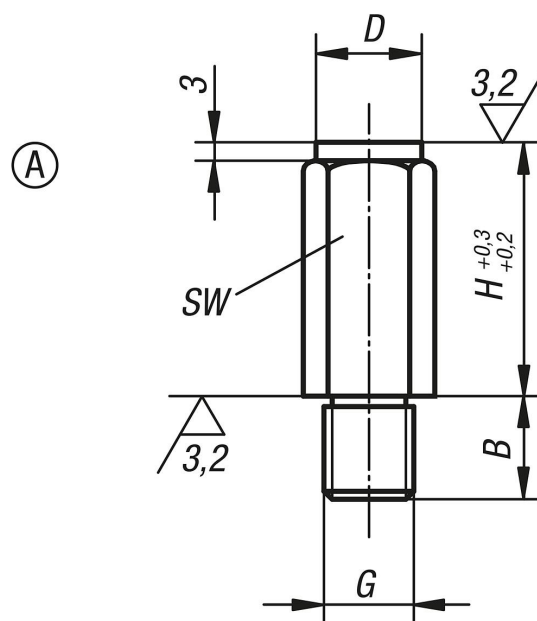
Body tempered and black oxidised.

Contact faces case-hardened.

Note:

These positioning feet are used as supports for rough and machined parts. They can also be used as stops and thrust pads in fixtures and toolmaking.

Drawings



Overview of items

Order No.	Form	B	D	G	H	SW
K0299.106010	A	11	10	M6	10	10
K0299.106020	A	11	10	M6	20	10
K0299.108010	A	13	13	M8	10	13
K0299.108015	A	13	13	M8	15	13
K0299.108030	A	13	13	M8	30	13

Positioning feet, Form A hardened flat face

Overview of items

Order No.	Form	B	D	G	H	SW
K0299.110010	A	16	17	M10	10	17
K0299.110020	A	16	17	M10	20	17
K0299.110040	A	16	17	M10	40	17
K0299.112010	A	20	19	M12	10	19
K0299.112025	A	20	19	M12	25	19
K0299.112050	A	20	19	M12	50	19
K0299.116015	A	24	27	M16	15	27
K0299.116030	A	24	27	M16	30	27
K0299.116060	A	24	27	M16	60	27
K0299.120040	A	29	32	M20	40	32
K0299.120080	A	29	32	M20	80	32