

Ledge handles, aluminium, ribbed, L-profile

Item description/product images



Description

Material:

Profile aluminium EN AW-6060

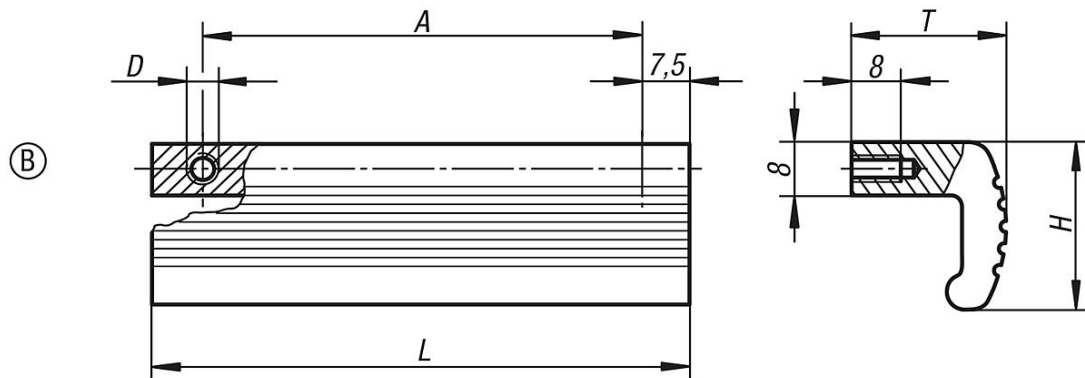
Version:

Profile aluminium vibration ground, matt-finished and natural colour or black anodised.

Note:

Any other lengths.

Drawings



Overview of items

Ledge handles

Order No.	Main colour	Form	A	D	H	L	T	Load capacity N
K0232.20301	natural anodized	B	30	M4	26	45	25	200
K0232.20302	black anodised	B	30	M4	26	45	25	200
K0232.20451	natural anodized	B	45	M4	26	60	25	200
K0232.20452	black anodised	B	45	M4	26	60	25	200
K0232.20701	natural anodized	B	70	M4	26	85	25	200
K0232.20702	black anodised	B	70	M4	26	85	25	200
K0232.20901	natural anodized	B	90	M4	26	105	25	200
K0232.20902	black anodised	B	90	M4	26	105	25	200
K0232.21051	natural anodized	B	105	M4	26	120	25	200
K0232.21052	black anodised	B	105	M4	26	120	25	200
K0232.21201	natural anodized	B	120	M4	26	135	25	200
K0232.21202	black anodised	B	120	M4	26	135	25	200