

Rest pads, Form A flat face

Item description/product images



Description

Material:

Body high carbon steel.

Version:

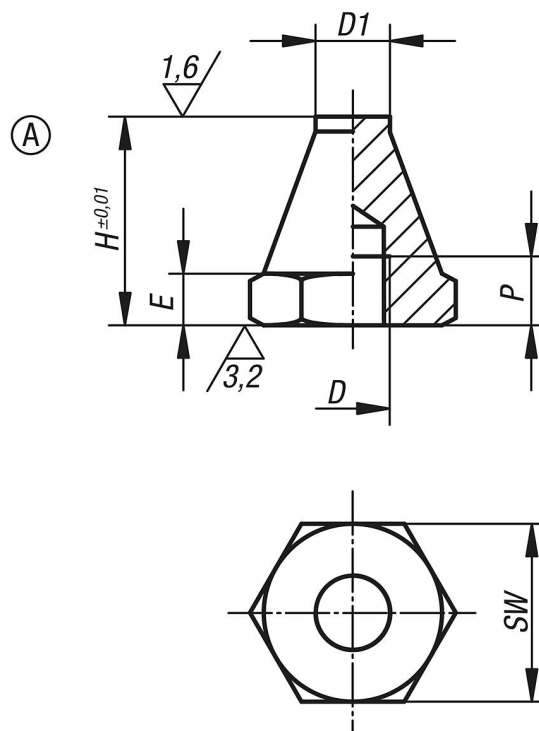
Body tempered and black oxidised.

Note:

Rest pads are for supporting machined and non-machined parts. They can also be used as stops and thrust pads in fixtures and toolmaking.

Studs or grub screws can be screwed and glued into the tapped hole D to make a rest pad with external thread.

Drawings



Overview of items

Order No.	Form	D	D1	E	H	P	SW
K0294.106012	A	M6	6	3	12,5	4	11
K0294.106025	A	M6	6	3	25	7	11
K0294.108015	A	M8	8	4	15	6	13
K0294.108030	A	M8	8	4	30	9	13
K0294.110020	A	M10	10	5	20	9	17
K0294.110040	A	M10	10	5	40	13	17
K0294.112025	A	M12	12	6	25	11	19

Rest pads, Form A flat face**Overview of items**

Order No.	Form	D	D1	E	H	P	SW
K0294.112050	A	M12	12	6	50	16	19
K0294.116030	A	M16	16	8	30	12	24
K0294.116060	A	M16	16	8	60	20	24