

Pull handles arched, entirely plastic, without base plate

Item description/product images



Description

Material:
Glass-bead reinforced thermoplastic.

Version:
matt black.

Note:
Ergonomic and functional pull handles with temperature resistance of -50 °C to +130 °C.

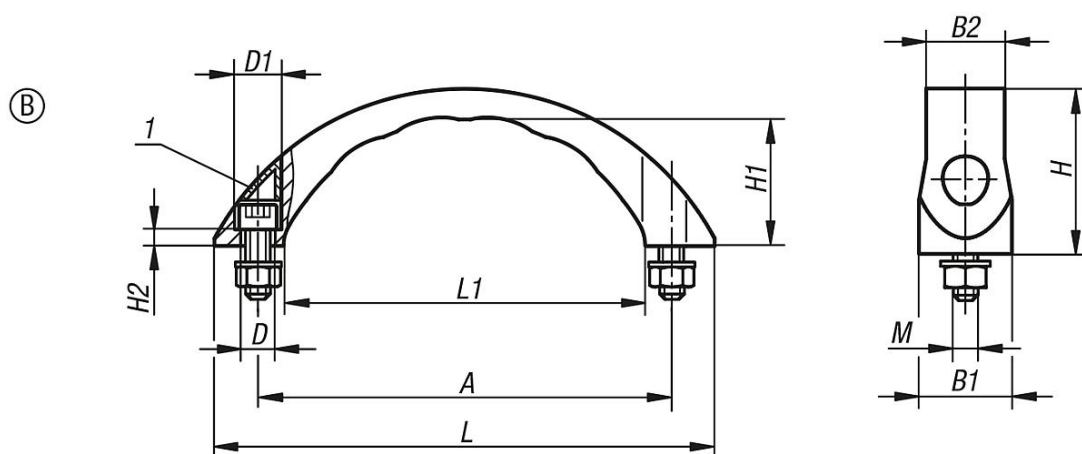
Supplied with DIN 912 electro zinc-plated socket head screws, DIN 934 nuts, DIN 125 electro zinc-plated washers and caps.

The versions K0193.110006 and K0193.210006 are supplied without caps.

Drawing reference:

1) cover cap

Drawings



Overview of items

Bow handles

Order No.	Form	Type	Version 1	A	B1	B2	D	D1	H	H1	H2	L	L1	M	Load capacity N
K0193.210006	B	without base plate	without base plate	100	23	19	7	11	38	31	4	121	84	M6x25	600
K0193.212006	B	without base plate	without base plate	120	28	23	7	12	50	38	5	152	104	M6x25	600
K0193.214008	B	without base plate	without base plate	140	31	25	9,5	16	54	39	5,5	177	122	M8x30	600