

## Disc handwheels with revolving grip, Form D, pre-drilled

### Item description/product images



### Description

#### Material:

Thermoset PF 31, black.

Hub nickel-plated steel.

Revolving grip, nickel-plated steel parts.

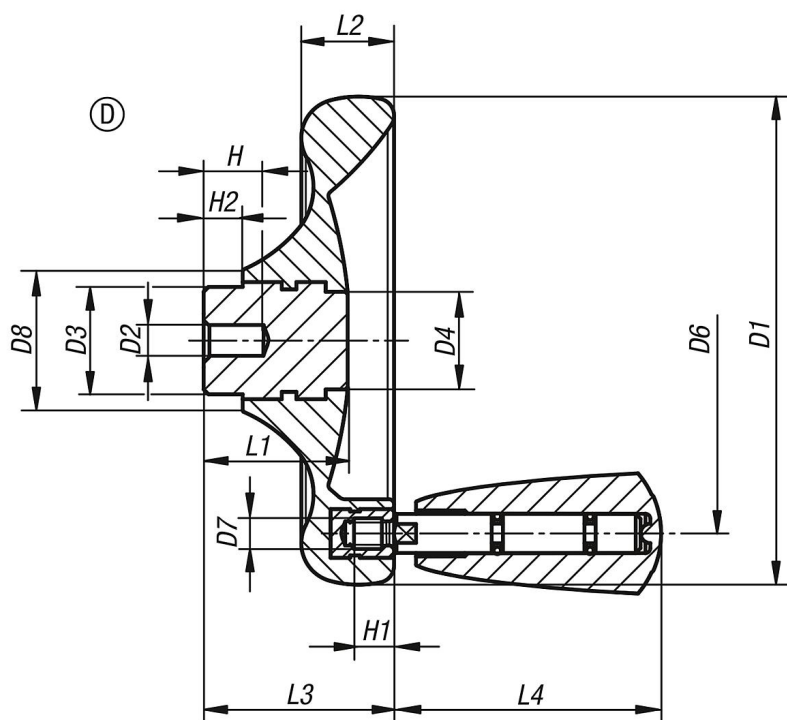
#### Version:

High-gloss polished.

#### Note:

The handwheel is supplied with the grip loose.

### Drawings



### Overview of items

Order No.	Form	Form definition	Steel parts material	D1	D2	D3	D4	D6	D7	D8	H	H1	H2	L1	L2	L3	L4
K0164.0100X06	D	pre-drilled	steel	100	6	22	20	79	M6	29	12	9	8	29,5	19	39	54,7
K0164.0125X08	D	pre-drilled	steel	125	8	26	21	101	M6	34	15	9	8	34	24	46	54,7
K0164.0140X08	D	pre-drilled	steel	140	8	30	25	110	M8	39	16	12	8	38,5	27	52	82,2
K0164.0160X10	D	pre-drilled	steel	160	10	33	30	128	M8	43	20	12	8	41,3	30,1	57	82,2

