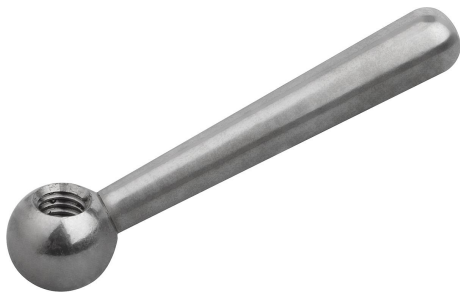


Levers DIN 99, Form N, with internal thread

Item description/product images



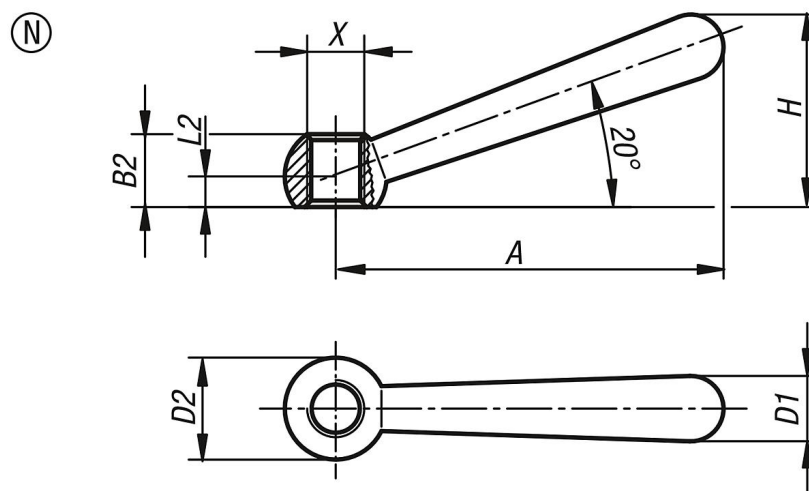
Description

Material:
Steel.

Version:
Polished.

Note:
To fix the lever to another element, gluing is often more cost-effective than pinning.

Drawings



Overview of items

Order No.	Form	X	A=Handle length	B2	D1	D2 ball	H	L2
K0174.206	N	M6	48	9,5	8	12	24	4
K0174.208	N	M8	60	12	10	16	30,5	5
K0174.210	N	M10	76	14,5	13	20	38	6
K0174.212	N	M12	95	18,5	16	25	47	7,5
K0174.216	N	M16	119	24	20	32	59,5	10
K0174.220	N	M20	152	30	25	40	75,5	12,5