

## Ball knobs, smooth, DIN 319 enhanced, Form L, with clamping sleeve

### Item description/product images



### Description

#### Material:

Black thermoset PF 31.

Bush electro zinc-plated steel.

#### Version:

High-gloss polished.

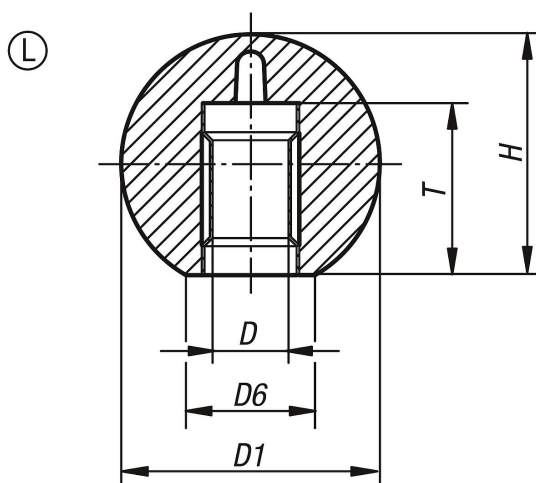
#### Note:

Assembly Form L: The Ball Knobs are mounted firmly by tapping a hammer lightly. Please only use a rubber or plastic hammer, with a weight up to 200 g!

#### Shank tolerance:

Ball knobs with press-fit sleeve can be mounted on standard shafts with tolerance h9. The supplied press-fit sleeve assures a firm and reliable fit.

### Drawings



### Overview of items

Order No.	Form	Main colour	D	D1	D6	H	T
K0159.42005	L	black	5	20	12	18	13
K0159.42506	L	black	6	25	15	23	16
K0159.42508	L	black	8	25	15	23	15
K0159.43208	L	black	8	32	18	29	15
K0159.43210	L	black	10	32	18	29	20
K0159.44010	L	black	10	40	20	37,5	20
K0159.44012	L	black	12	40	20	37,5	23
K0159.45012	L	black	12	50	28	48	20