

## Tommy bars with sliding T-bar, DIN 6307

### Item description/product images



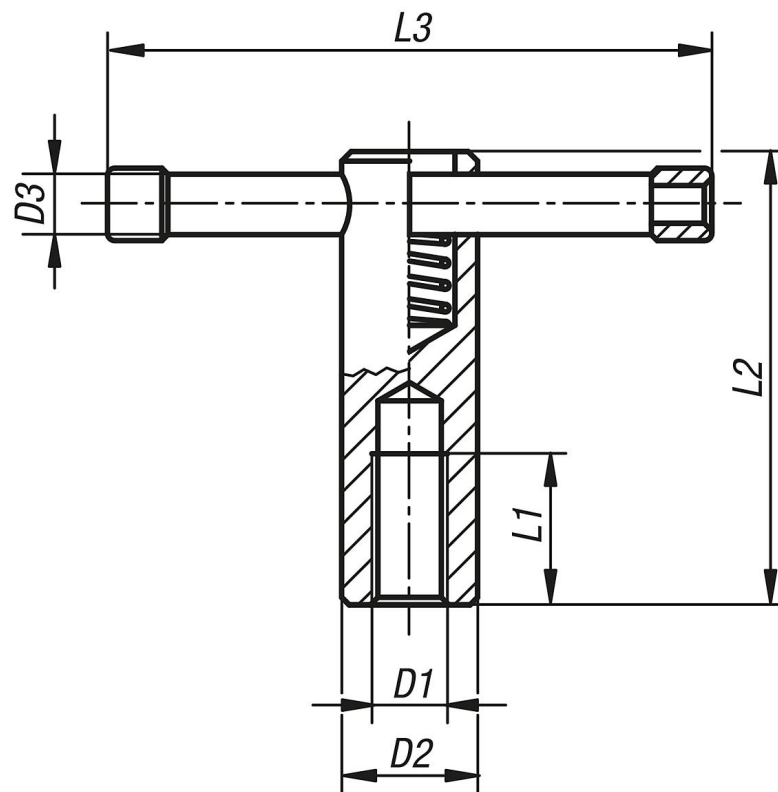
### Description

**Material:**  
Steel.

**Version:**  
Black oxidised.

**Note:**  
For fixed spindles, the spindle is press fitted.

### Drawings



### Overview of items

Order No.	Version 1	D1	D2	D3	L1	L2	L3
K0755.210	sliding t-bar	M10	18	8	20	60	80
K0755.212	sliding t-bar	M12	20	10	25	70	100
K0755.216	sliding t-bar	M16	24	13	35	85	120
K0755.220	sliding t-bar	M20	30	16	40	95	140