

## Clamping levers, plastic with internal thread and push button, threaded insert stainless steel

Item description/product images



### Description

**Material:**

Handle fibreglass reinforced plastic, toothed ring die-cast zinc. Metal parts stainless steel 1.4305.

Push button plastic (POM).

**Version:**

Steel parts bright.

**Note:**

The standard colours are:

Black grey clamping lever, traffic red push button.

Orange clamping lever, black grey push button.

Traffic red clamping lever, black grey push button.

**On request:**

Other threads and special versions.

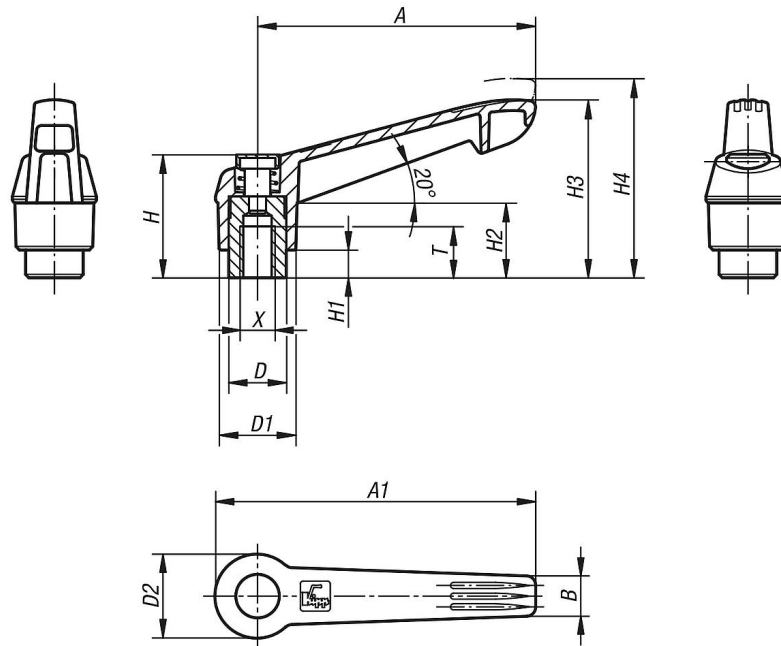
Dimension "H1" available in other lengths at extra charge.

# Clamping levers, plastic with internal thread and push button, threaded insert stainless steel

Item description/product images



## Drawings



## Overview of items

### Clamping levers with push button, internal thread, metal parts stainless steel

Order No.	Main colour	X	A	A1	B	D	D1	D2	H	H1	H2	H3	H4	T	No. of teeth
K0270.71104	black grey RAL 7021	M4	40	47	7,5	10	13	14,5	25,5	4	15	30	33,5	9	16
K0270.72104	orange RAL 2004	M4	40	47	7,5	10	13	14,5	25,5	4	15	30	33,5	9	16
K0270.73104	traffic red RAL 3020	M4	40	47	7,5	10	13	14,5	25,5	4	15	30	33,5	9	16
K0270.71105	black grey RAL 7021	M5	40	47	7,5	10	13	14,5	25,5	4	15	30	33,5	9	16
K0270.72105	orange RAL 2004	M5	40	47	7,5	10	13	14,5	25,5	4	15	30	33,5	9	16
K0270.73105	traffic red RAL 3020	M5	40	47	7,5	10	13	14,5	25,5	4	15	30	33,5	9	16
K0270.71106	black grey RAL 7021	M6	40	47	7,5	10	13	14,5	25,5	4	15	30	33,5	9	16
K0270.72106	orange RAL 2004	M6	40	47	7,5	10	13	14,5	25,5	4	15	30	33,5	9	16
K0270.73106	traffic red RAL 3020	M6	40	47	7,5	10	13	14,5	25,5	4	15	30	33,5	9	16
K0270.71206	black grey RAL 7021	M6	65	75	9,5	13,5	18	19,5	29,5	6,5	17,5	41,5	45,5	12	20
K0270.72206	orange RAL 2004	M6	65	75	9,5	13,5	18	19,5	29,5	6,5	17,5	41,5	45,5	12	20

# Clamping levers, plastic with internal thread and push button, threaded insert stainless steel

## Overview of items

Order No.	Main colour	X	A	A1	B	D	D1	D2	H	H1	H2	H3	H4	T	No. of teeth
K0270.73206	traffic red RAL 3020	M6	65	75	9,5	13,5	18	19,5	29,5	6,5	17,5	41,5	45,5	12	20
K0270.71208	black grey RAL 7021	M8	65	75	9,5	13,5	18	19,5	29,5	6,5	17,5	41,5	45,5	12	20
K0270.72208	orange RAL 2004	M8	65	75	9,5	13,5	18	19,5	29,5	6,5	17,5	41,5	45,5	12	20
K0270.73208	traffic red RAL 3020	M8	65	75	9,5	13,5	18	19,5	29,5	6,5	17,5	41,5	45,5	12	20
K0270.71308	black grey RAL 7021	M8	80	91,5	11	16	21,5	23	38,5	10	24	53,5	58	14	22
K0270.72308	orange RAL 2004	M8	80	91,5	11	16	21,5	23	38,5	10	24	53,5	58	14	22
K0270.73308	traffic red RAL 3020	M8	80	91,5	11	16	21,5	23	38,5	10	24	53,5	58	14	22
K0270.71310	black grey RAL 7021	M10	80	91,5	11	16	21,5	23	38,5	10	24	53,5	58	14	22
K0270.72310	orange RAL 2004	M10	80	91,5	11	16	21,5	23	38,5	10	24	53,5	58	14	22
K0270.73310	traffic red RAL 3020	M10	80	91,5	11	16	21,5	23	38,5	10	24	53,5	58	14	22
K0270.71410	black grey RAL 7021	M10	95	109	13	19	25,5	27,5	44,6	10	26	61	66	17	24
K0270.72410	orange RAL 2004	M10	95	109	13	19	25,5	27,5	44,6	10	26	61	66	17	24
K0270.73410	traffic red RAL 3020	M10	95	109	13	19	25,5	27,5	44,6	10	26	61	66	17	24
K0270.71412	black grey RAL 7021	M12	95	109	13	19	25,5	27,5	44,6	10	26	61	66	17	24
K0270.72412	orange RAL 2004	M12	95	109	13	19	25,5	27,5	44,6	10	26	61	66	17	24
K0270.73412	traffic red RAL 3020	M12	95	109	13	19	25,5	27,5	44,6	10	26	61	66	17	24
K0270.71512	black grey RAL 7021	M12	110	126	15,5	23	30	32,5	50,6	12	33	72	77	23	26
K0270.72512	orange RAL 2004	M12	110	126	15,5	23	30	32,5	50,6	12	33	72	77	23	26
K0270.73512	traffic red RAL 3020	M12	110	126	15,5	23	30	32,5	50,6	12	33	72	77	23	26
K0270.71516	black grey RAL 7021	M16	110	126	15,5	23	30	32,5	50,6	12	33	72	77	23	26
K0270.72516	orange RAL 2004	M16	110	126	15,5	23	30	32,5	50,6	12	33	72	77	23	26
K0270.73516	traffic red RAL 3020	M16	110	126	15,5	23	30	32,5	50,6	12	33	72	77	23	26