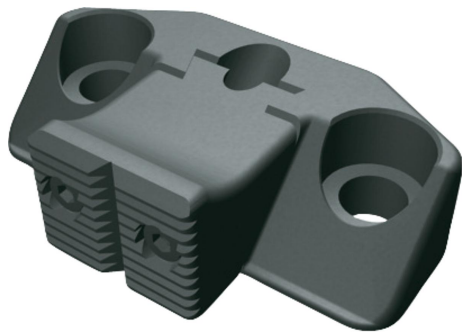


Toe clamps, Form B

Item description/product images

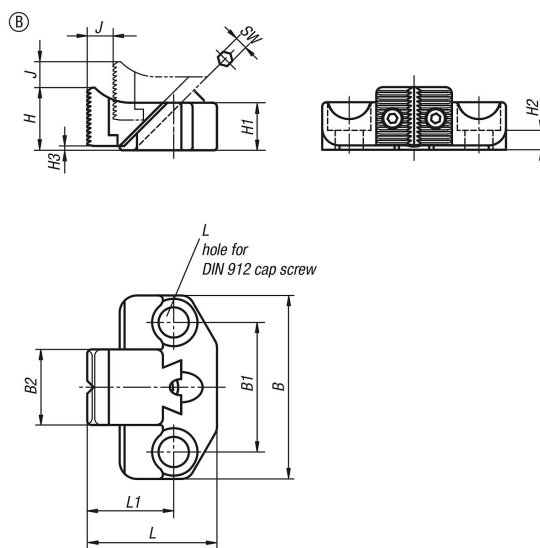


Description

Material:
Carbon steel.

Version:
Body tempered and black oxidised.
Jaw plate black oxidised and tempered on the edges.

Drawings



Overview of items

| Order No. | B | B1 | B2 | G | H1 | H | H2 | H3 | J | L1 | L | SW | Clamping force N | Tightening torque Nm |
|------------|-----|----|----|-----|----|------|----|-----|----|----|------|----|------------------|----------------------|
| K0933.0820 | 65 | 45 | 25 | M8 | 16 | 19,5 | 7 | 1,5 | 7 | 25 | 39,5 | 4 | 4000 | 8 |
| K0933.1229 | 85 | 60 | 35 | M12 | 22 | 29 | 9 | 2 | 12 | 40 | 60 | 6 | 9000 | 26 |
| K0933.1638 | 100 | 70 | 40 | M16 | 30 | 38 | 13 | 2 | 14 | 50 | 77 | 8 | 17000 | 60 |