

Round inserts with counterbore, Form E

Item description/product images



Description

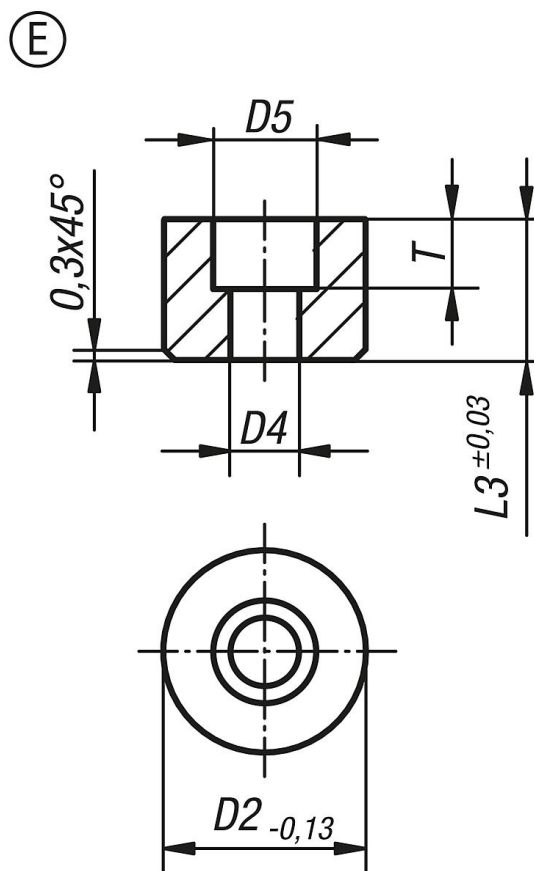
Material, version:

Form E in tool steel, hardened and black oxidised.

Note:

Grippers and Inserts are ideal for use in clamping arms, gripping systems, clamping fixtures, clamping jaws and self-aligning pads. Grippers transfer very high torque values and above average retaining forces even when applied to hard materials and surface irregularities.

Drawings



Round inserts with counterbore, Form E

Overview of items

Order No.	Form	D2	D4	D5	L3	T
K0385.110102	E	10	3,4	6	10	5
K0385.110122	E	10	3,4	6	12	5
K0385.112102	E	12	4,5	9	10	5,6
K0385.112122	E	12	4,5	9	12	5,6
K0385.116102	E	16	5,5	11	10	6,6
K0385.116122	E	16	5,5	11	12	6,6
K0385.120102	E	20	6,6	11	10	7,6
K0385.120122	E	20	6,6	11	12	7,6
K0385.125102	E	25	6,6	11	10	7,6
K0385.125122	E	25	6,6	11	12	7,6